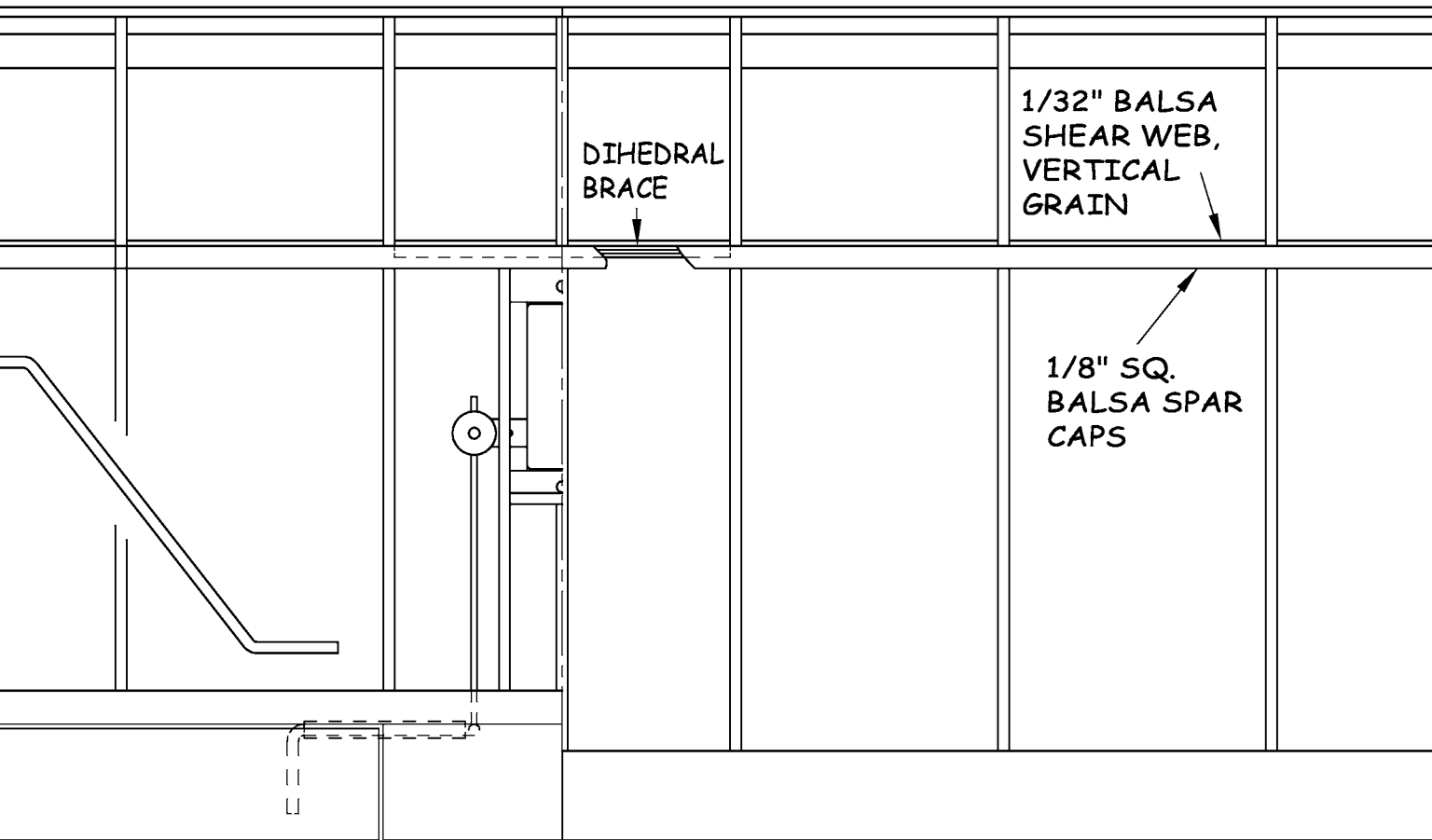
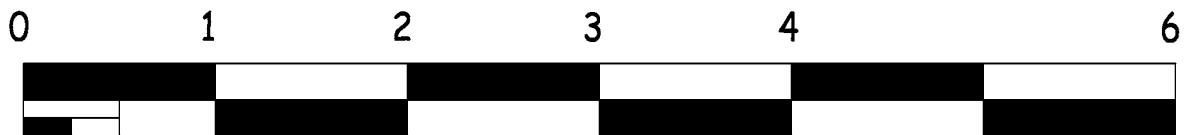
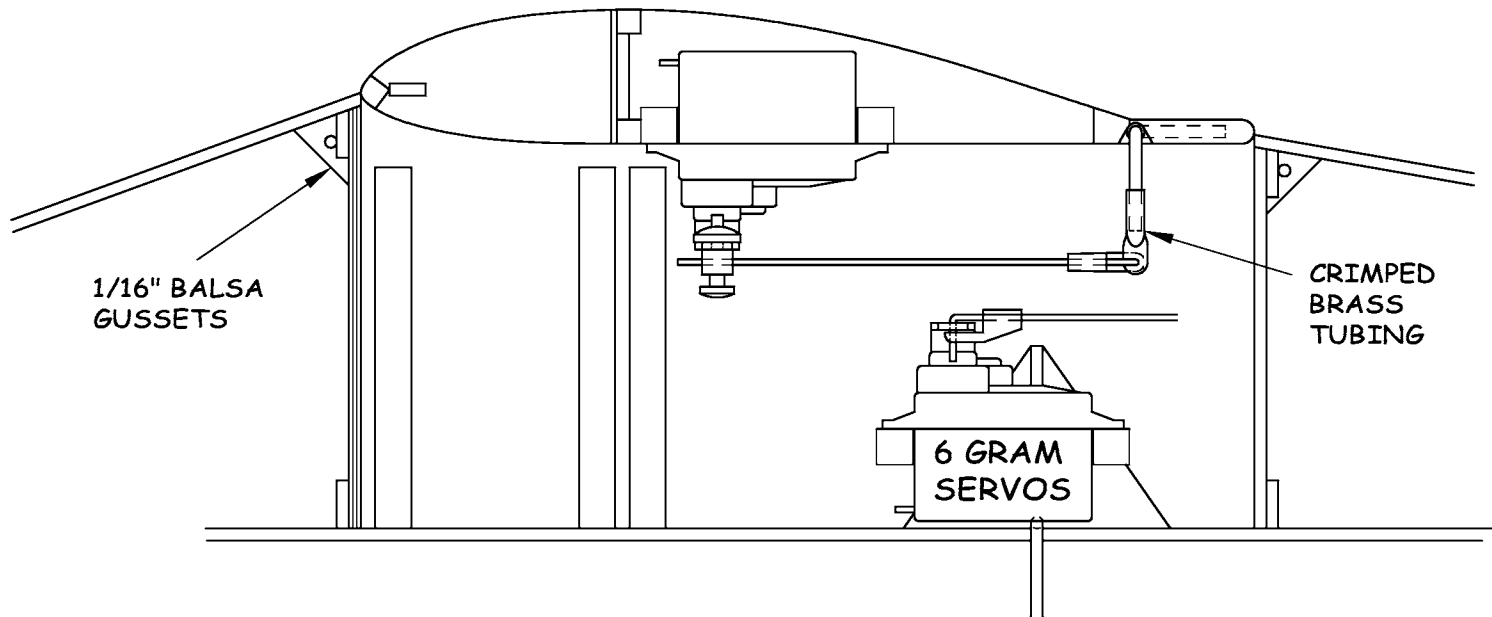
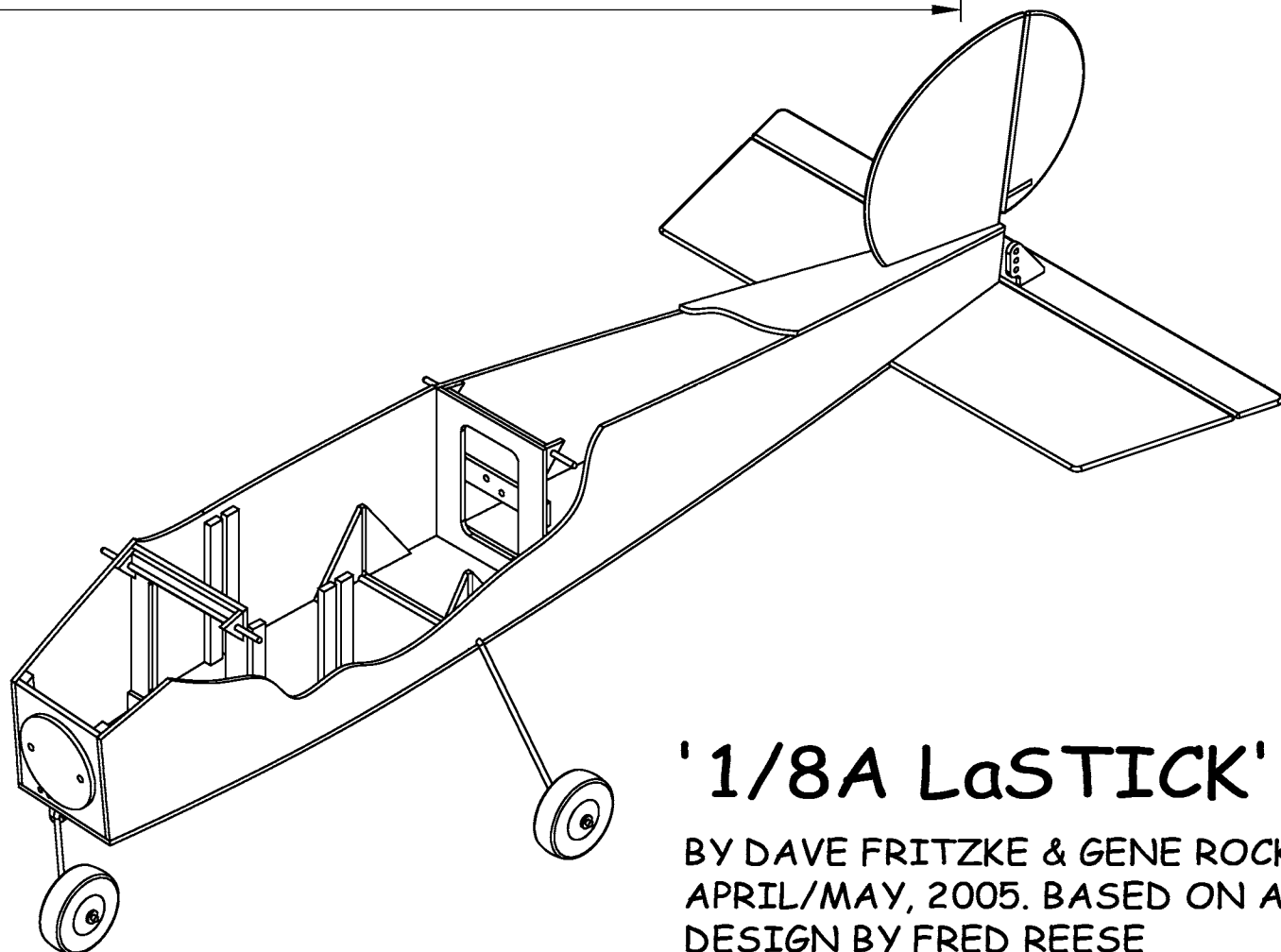
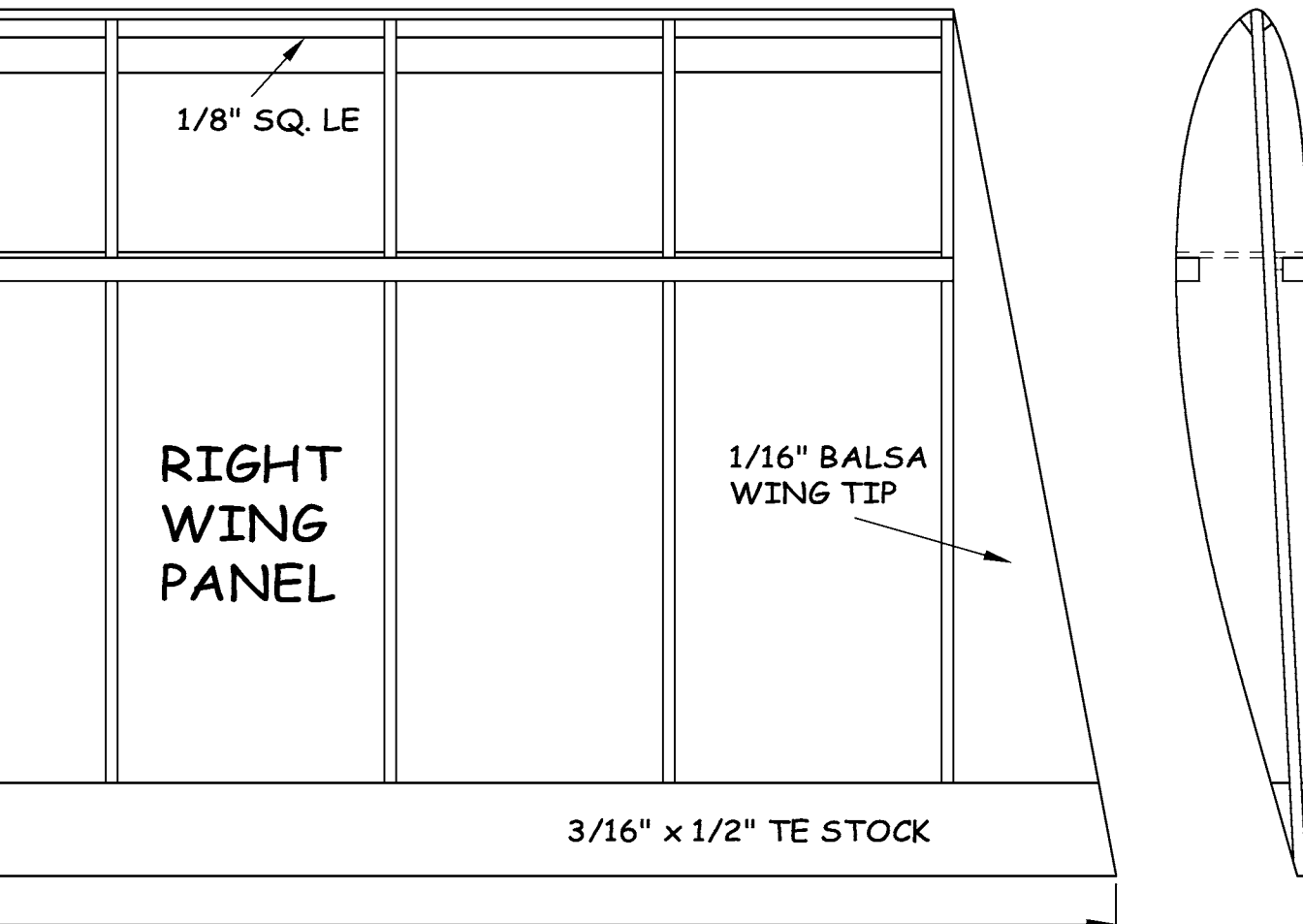


OPTIONAL FOR 1/32" Balsa CENTER OF WING SHEETING



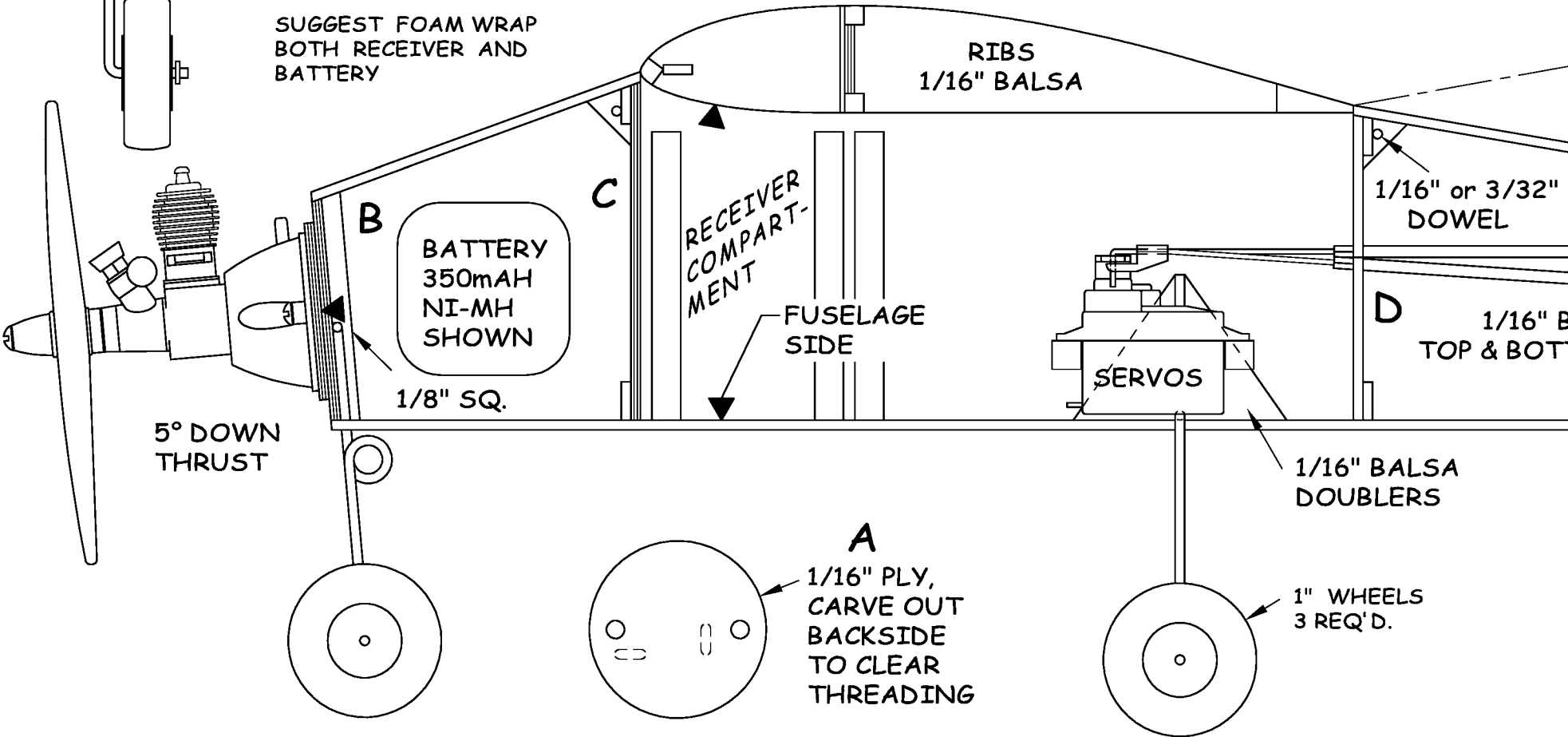
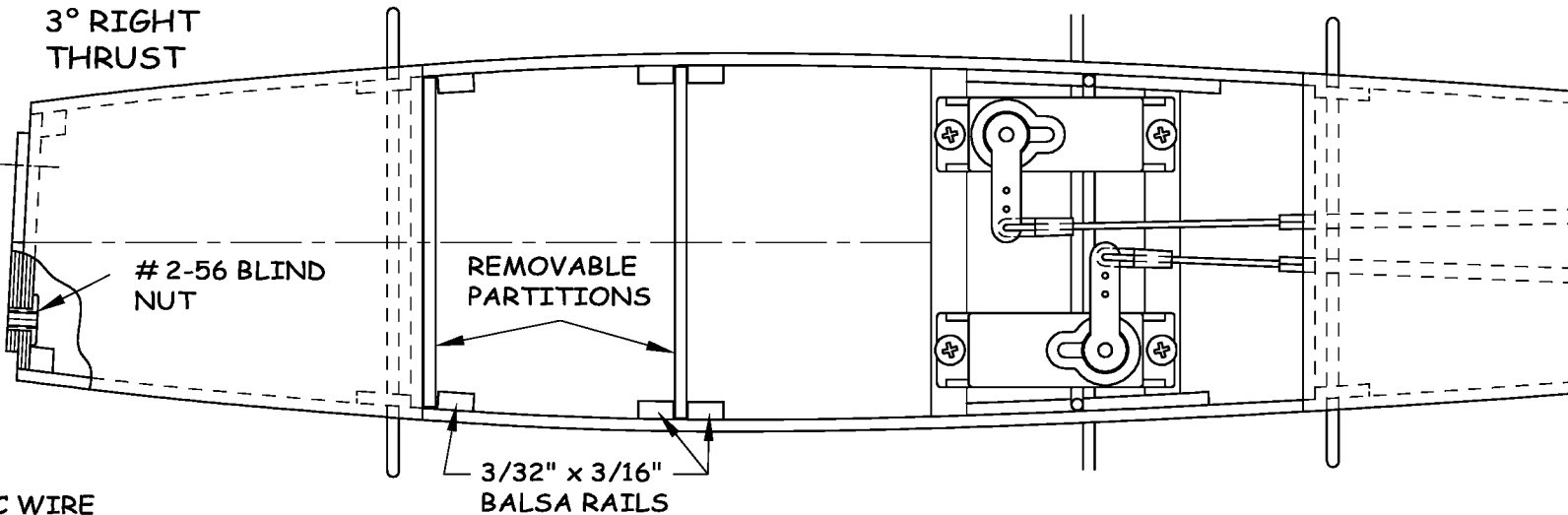
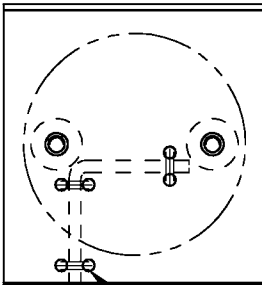
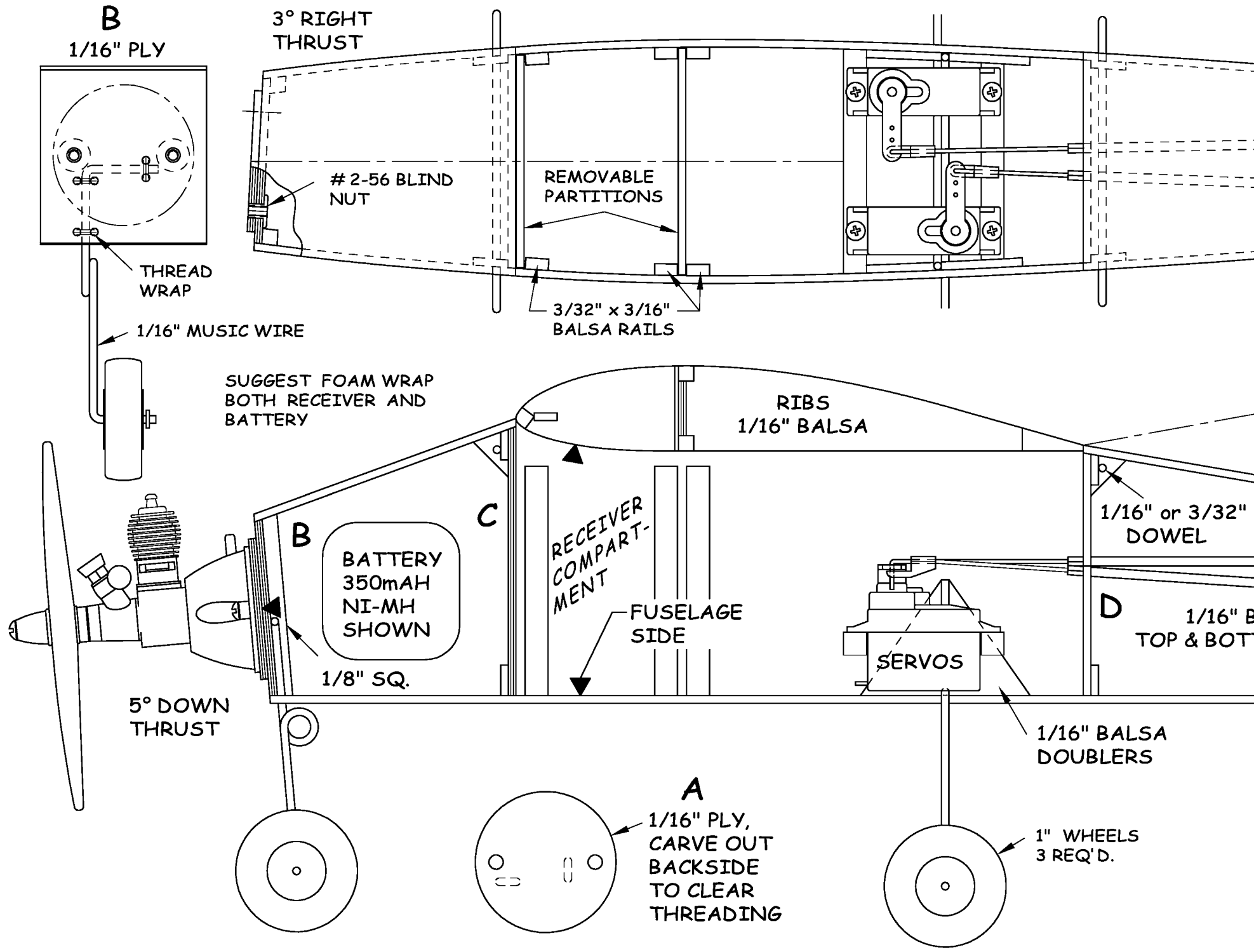
21.713"

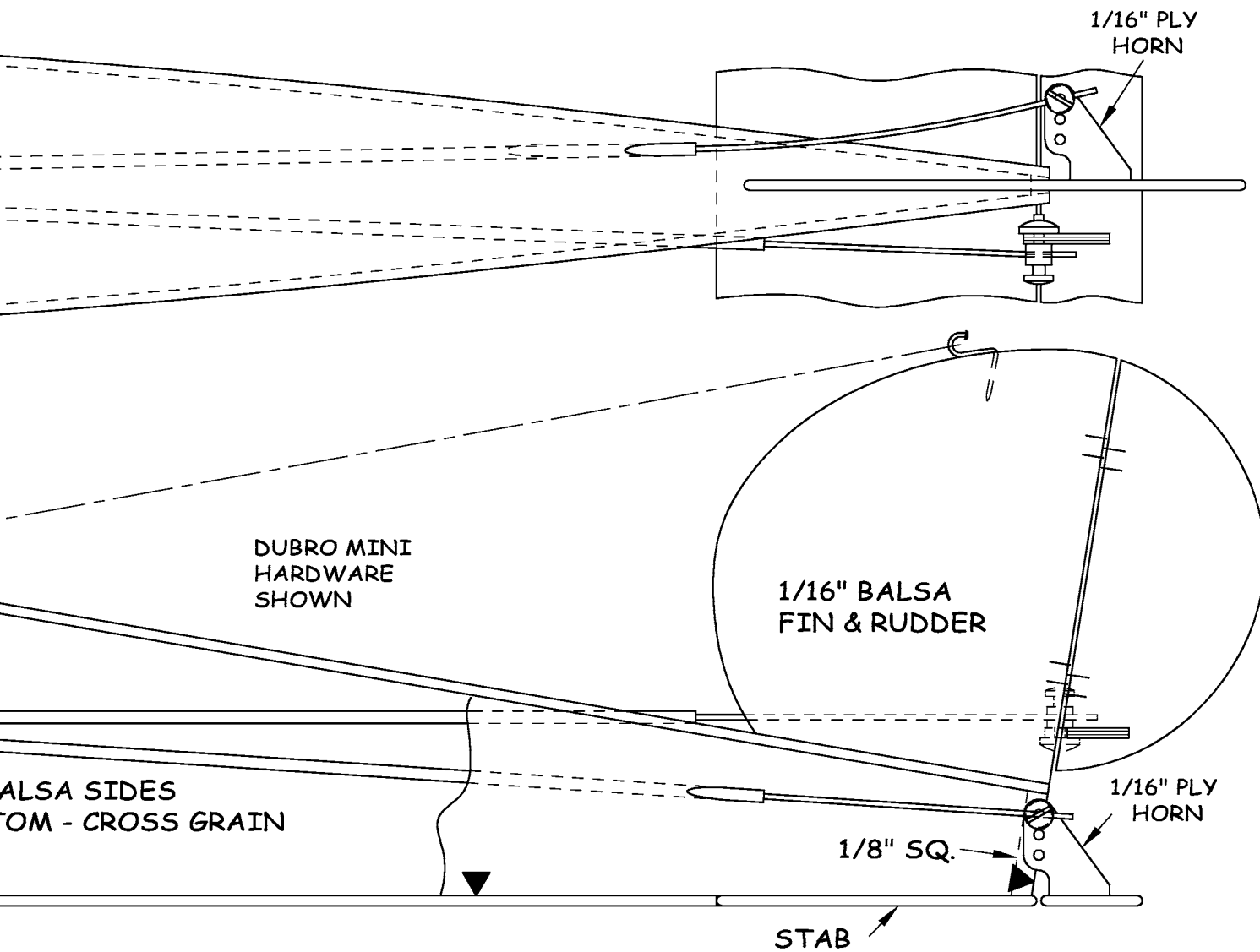




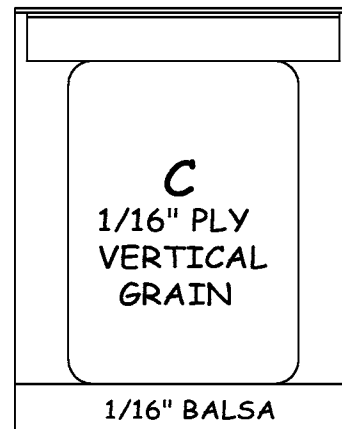
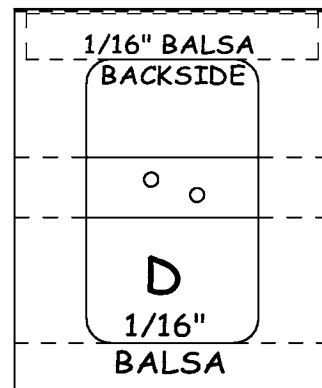
# '1/8A LaSTICK'

BY DAVE FRITZKE & GENE ROCK,  
 APRIL/MAY, 2005. BASED ON A  
 DESIGN BY FRED REESE





DIHEDRAL BRACE  
1/16" PLYWOOD



ENGINE: COX .010 OR .020  
 RADIO: 2 or 3 CHANNEL MICRO  
 SPAN: 21.713 INCHES  
 LENGTH: 16.105 INCHES  
 WITHOUT ENGINE  
 WING AREA: 97 SQ. INCHES  
 WEIGHT: 5-1/2 OUNCES

# '1/8A LaSTICK'

