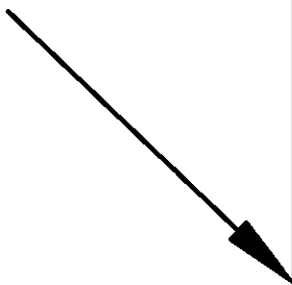
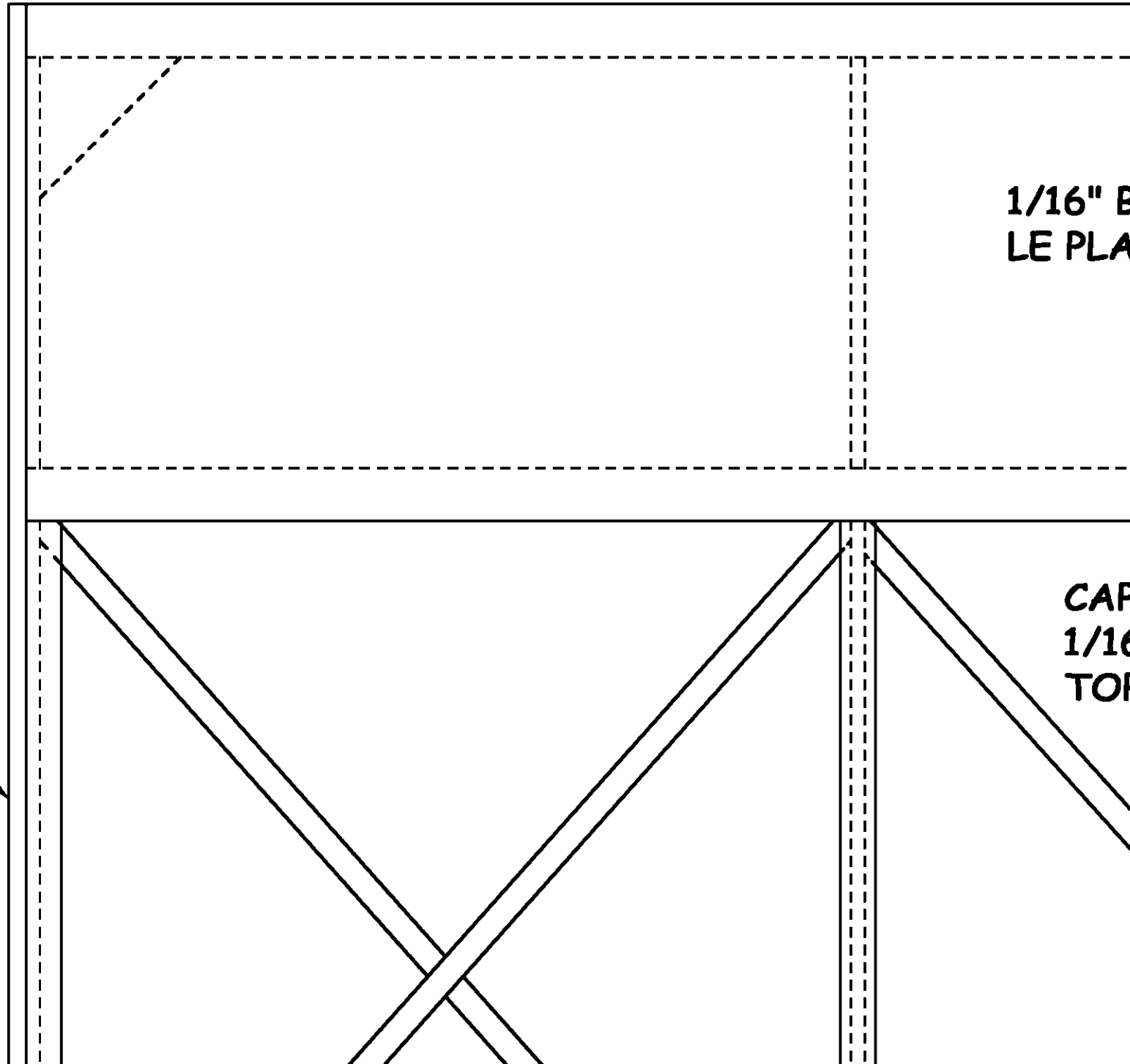


TIP PLATE 1/8"  
MED. BALSA



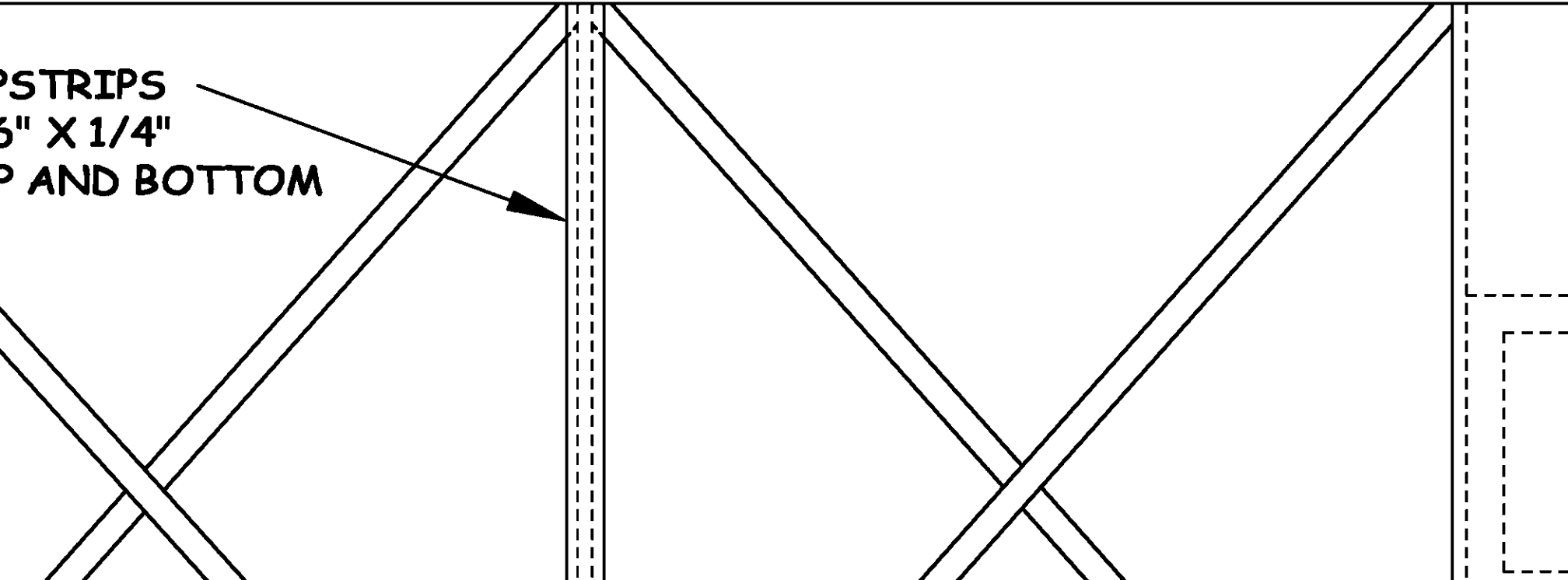
1/16" B  
LE PLA

CAP  
1/16"  
TOP



**BALSA  
FRAMING**

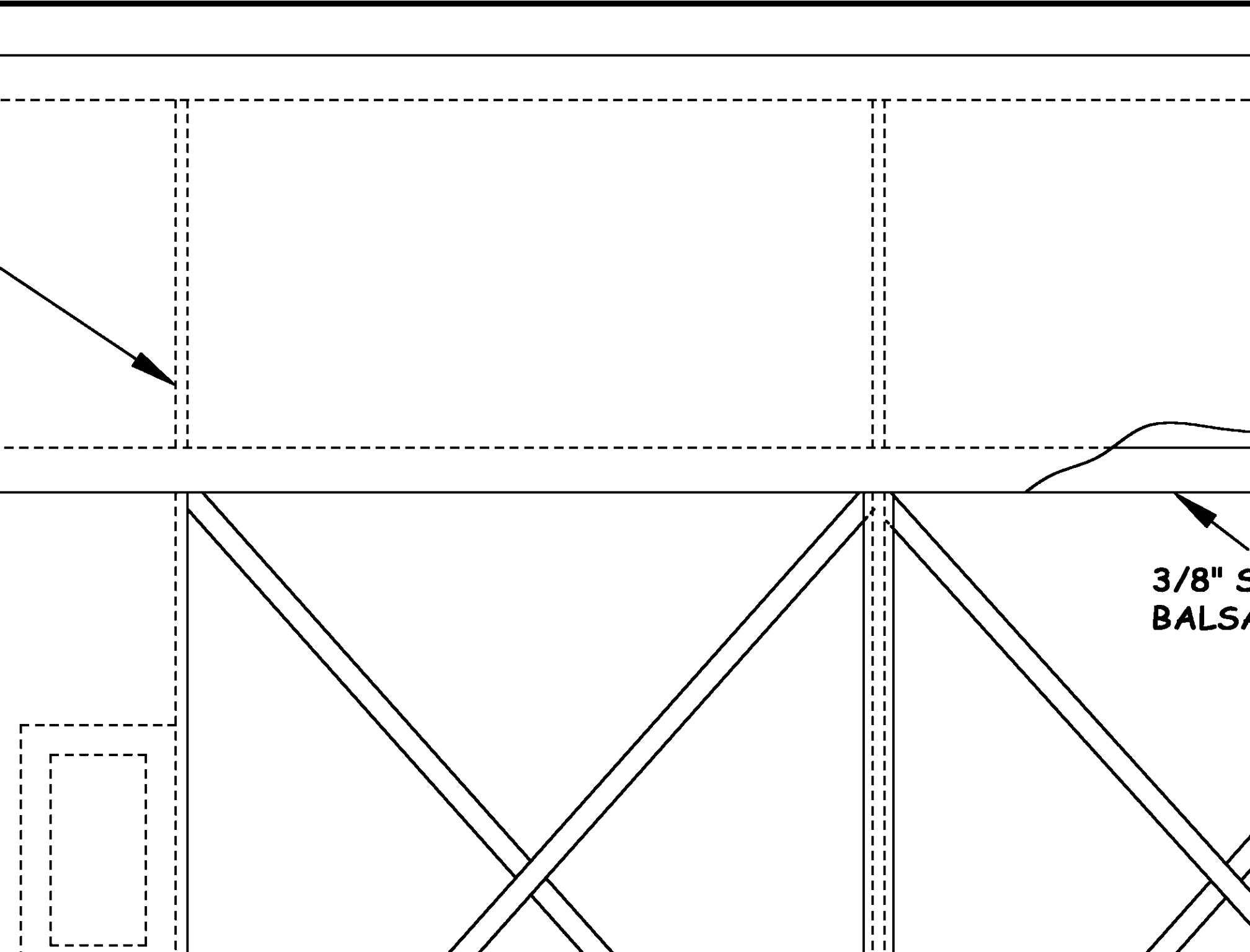
**STRIPS  
3" X 1/4"  
TOP AND BOTTOM**



**CUT AWAY PLANKING  
AND L.E. BETWEEN  
FUSE SIDES BACK TO  
SPARS FOR TANK**

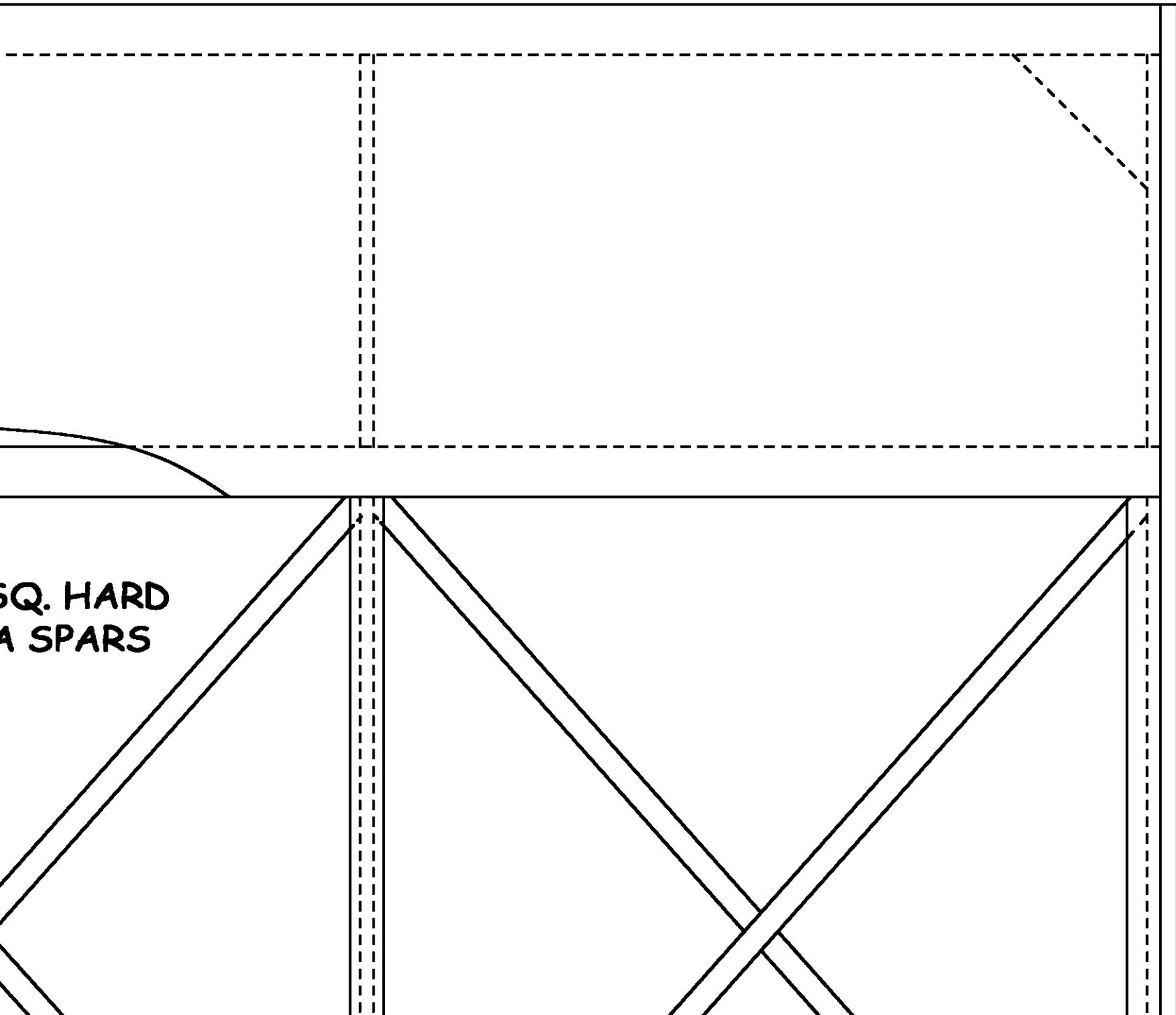
**WING RIB**

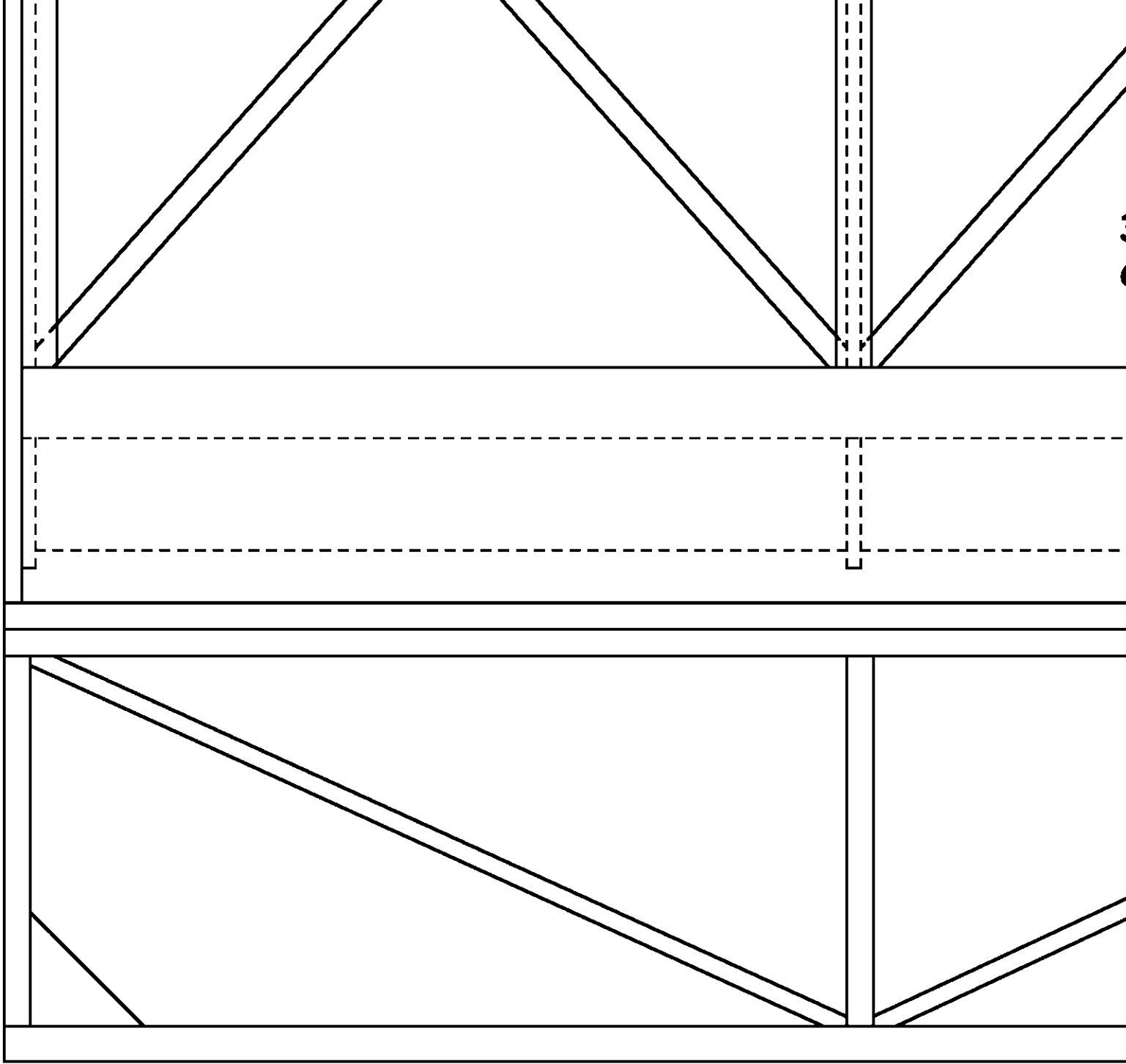
**AILERON SERVO  
LOCATION**

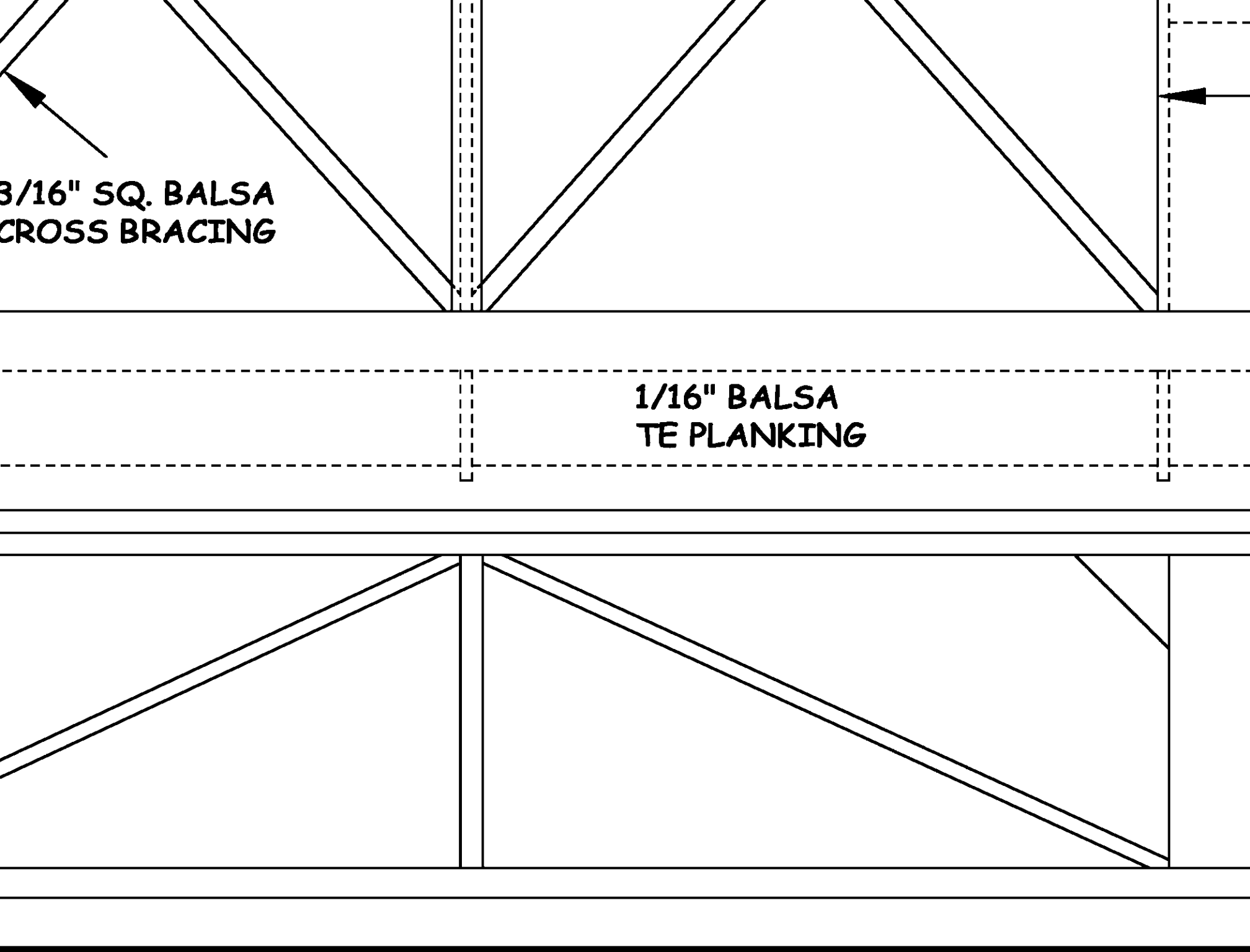


3/8" S  
BALSA

6 SQ. HARD  
A SPARS







3/16" SQ. BALSA  
CROSS BRACING

The diagram shows a cross-section of a balsa wood structure. At the top, there are two trapezoidal sections, each supported by a vertical post. Diagonal bracing is shown in two forms: a double-line bracing and a single-line bracing. A horizontal layer of te planking is positioned below the vertical posts. The bottom section shows a similar structure with a single-line diagonal bracing. Dashed lines indicate the alignment of the vertical posts and the te planking. Arrows point to the bracing and the te planking from their respective labels.

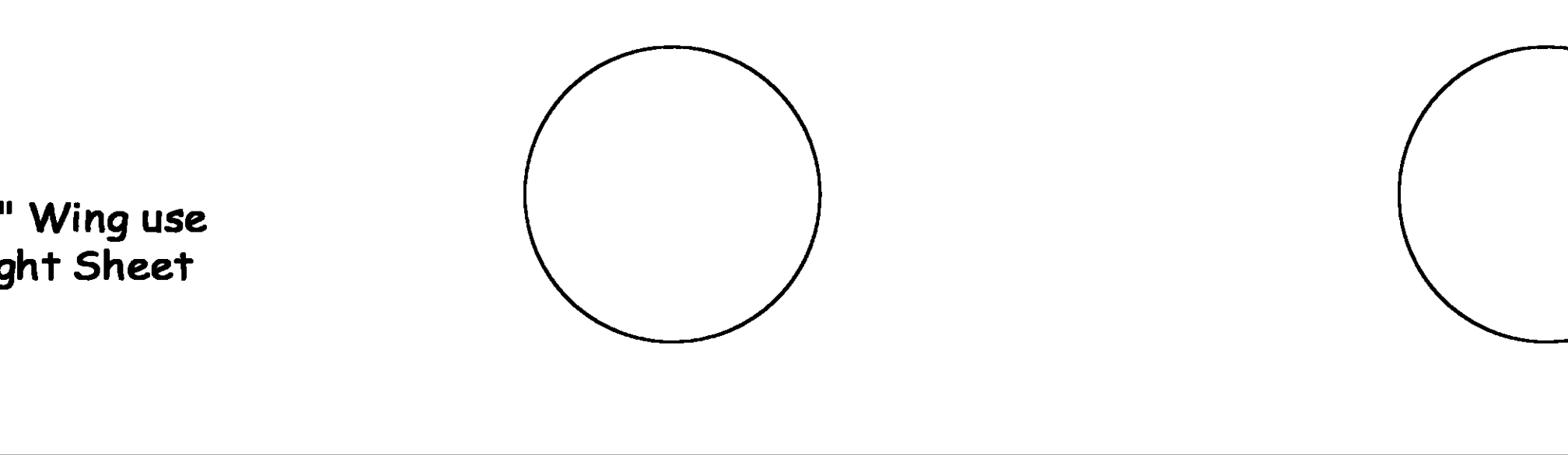
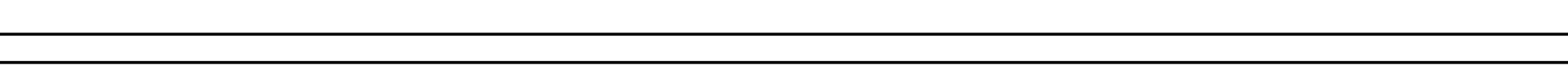
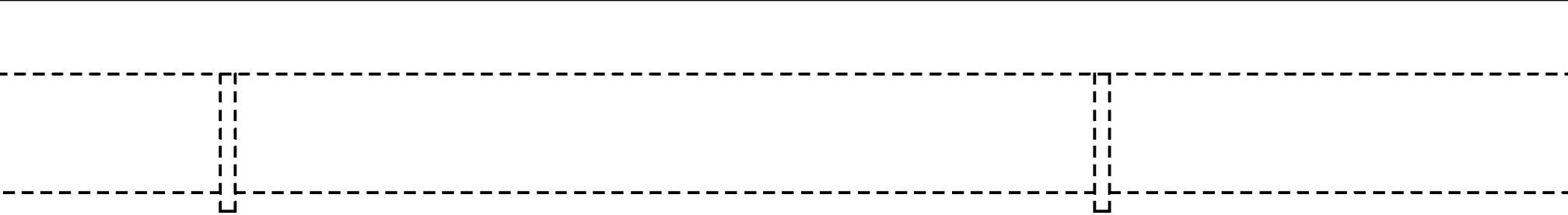
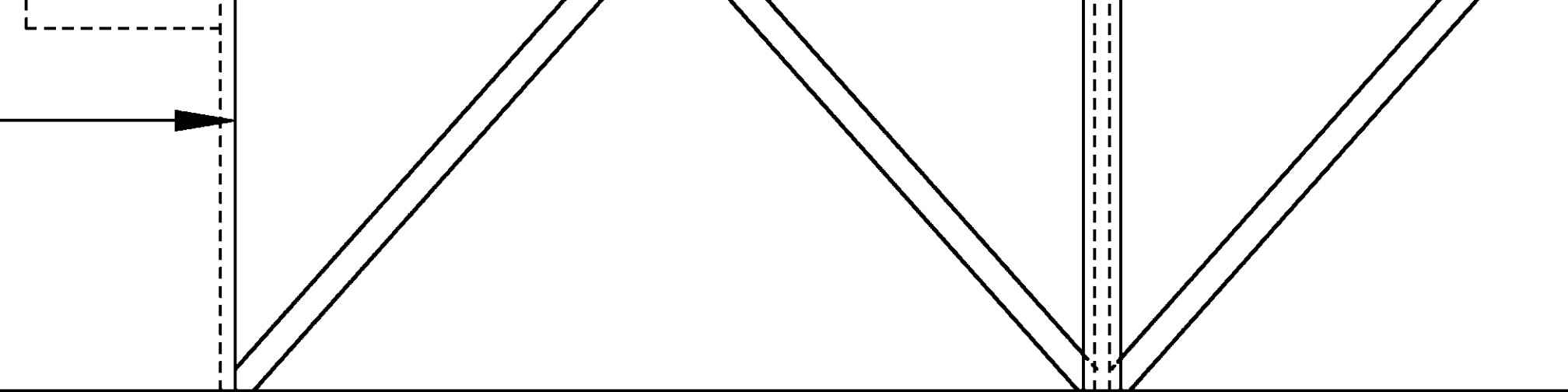
1/16" BALSA  
TE PLANKING

**1/16" Balsa  
Center Planking  
Between These Ribs**

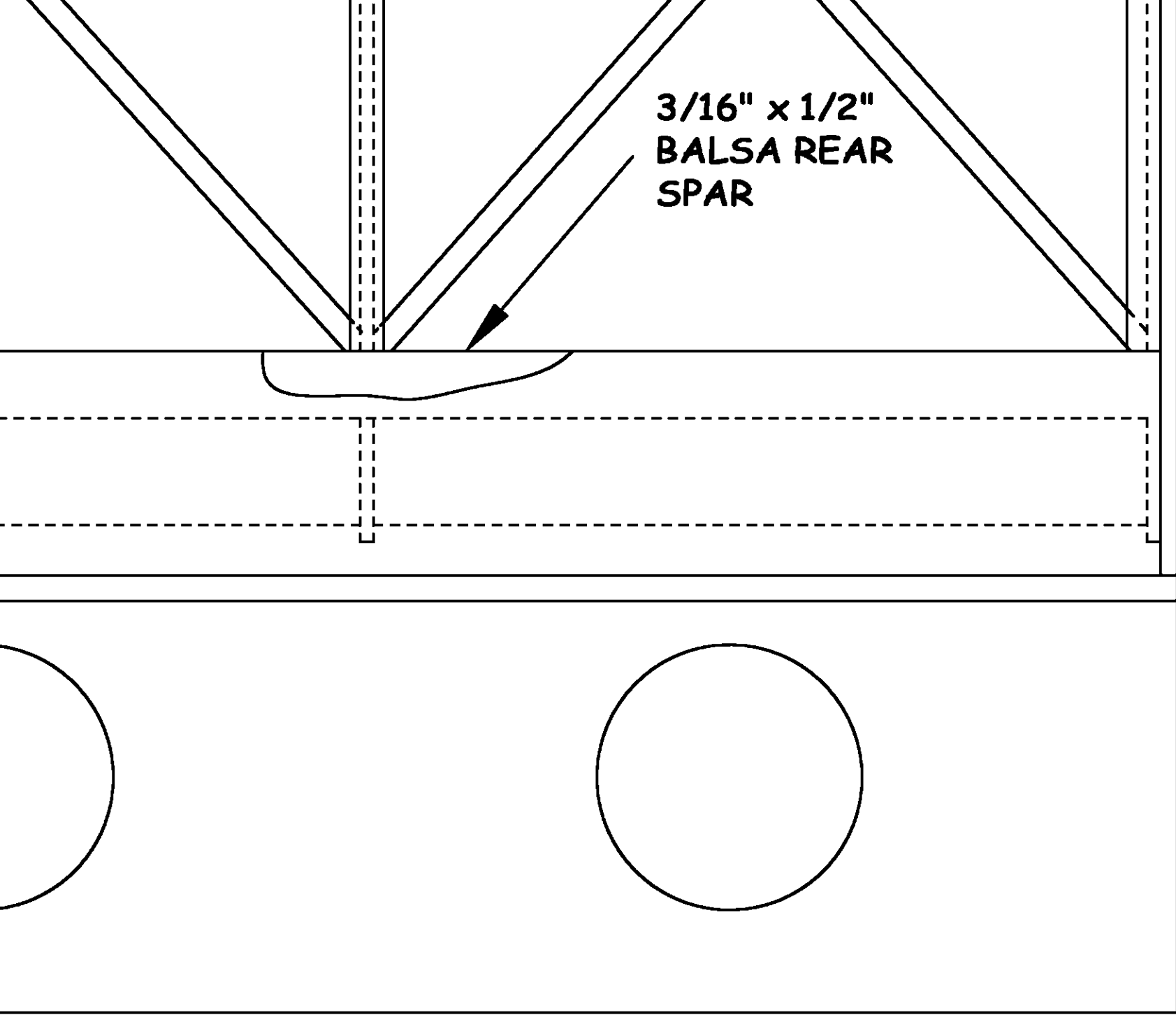
**Use 1/2" Stock  
for Thicker  
Wing**

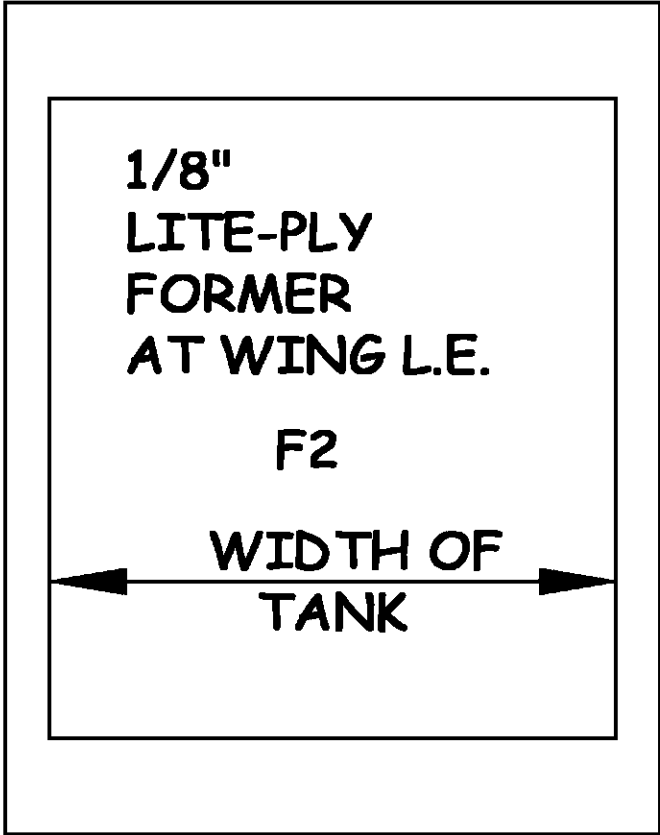
**For 2.5  
3/8" Lig**



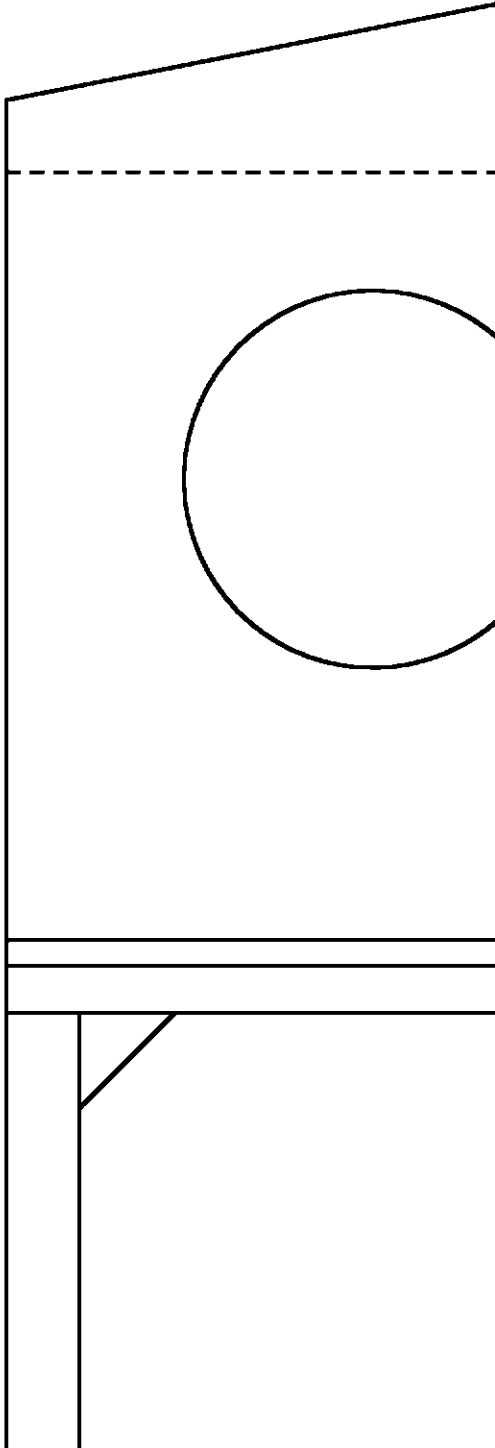


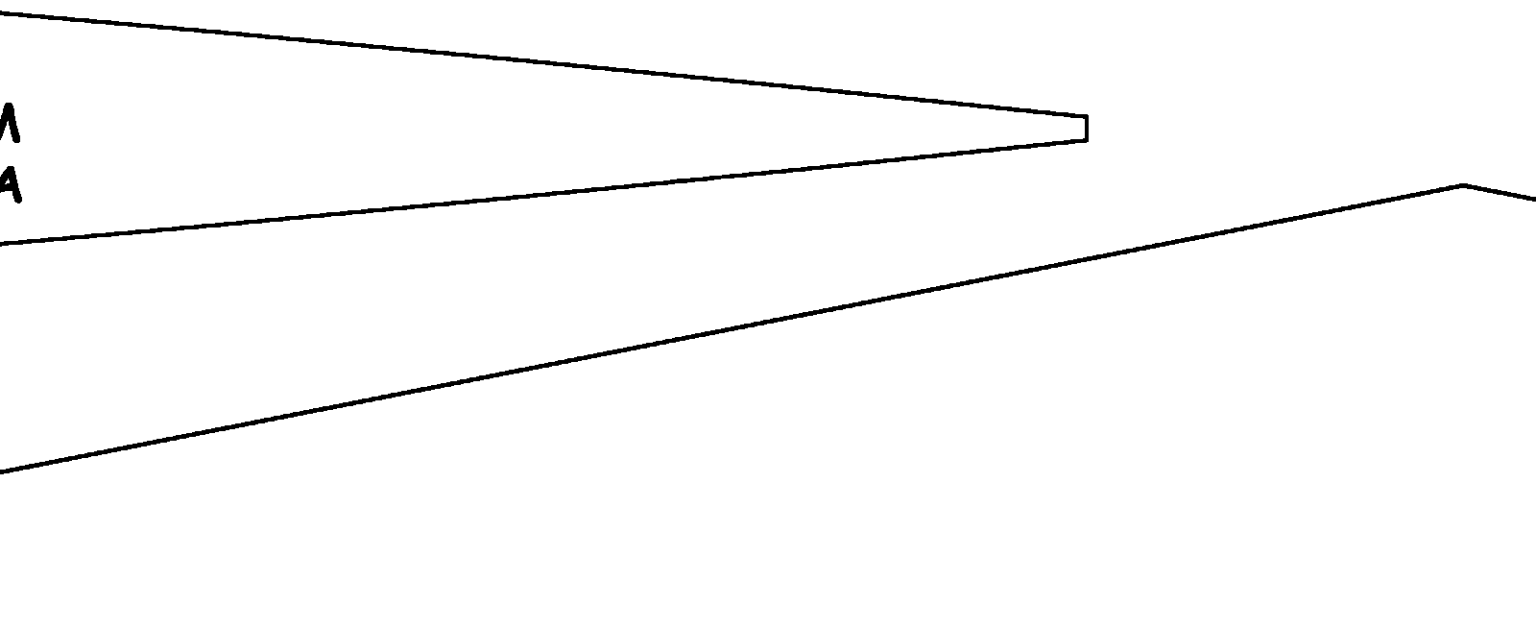
**3/16" x 1/2"  
BALSA REAR  
SPAR**



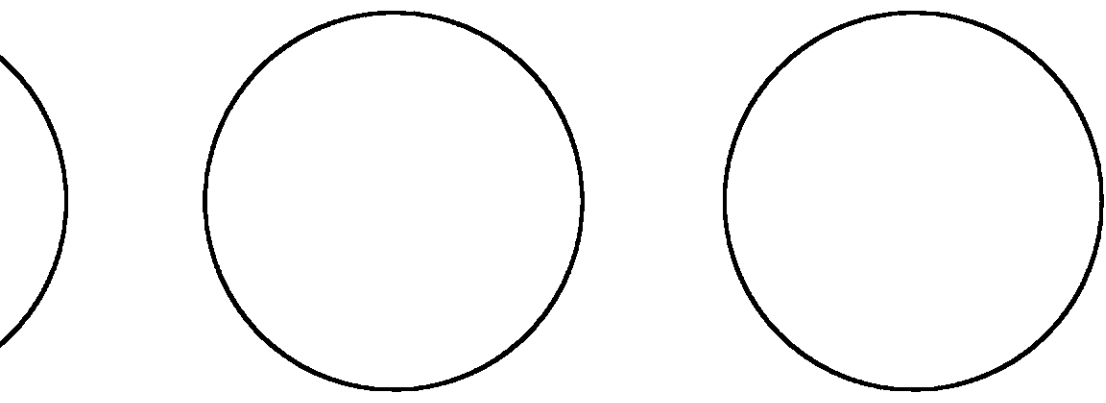


STAB PLATFORM  
3/32 MED BALS



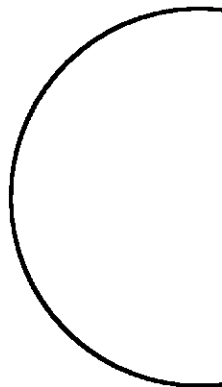
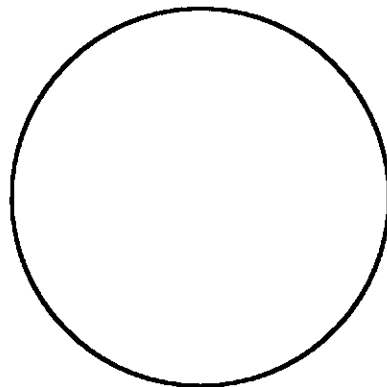
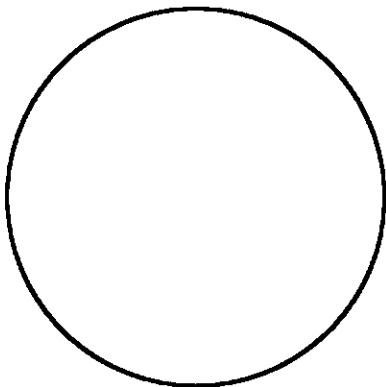


A  
A



**ALL STAB MATERIAL 3/16" BALSA**


**BUTT LINE IF USING 4" WIDE SHEET**






**TOP CRUTCH**  
**3/32" Balsa**



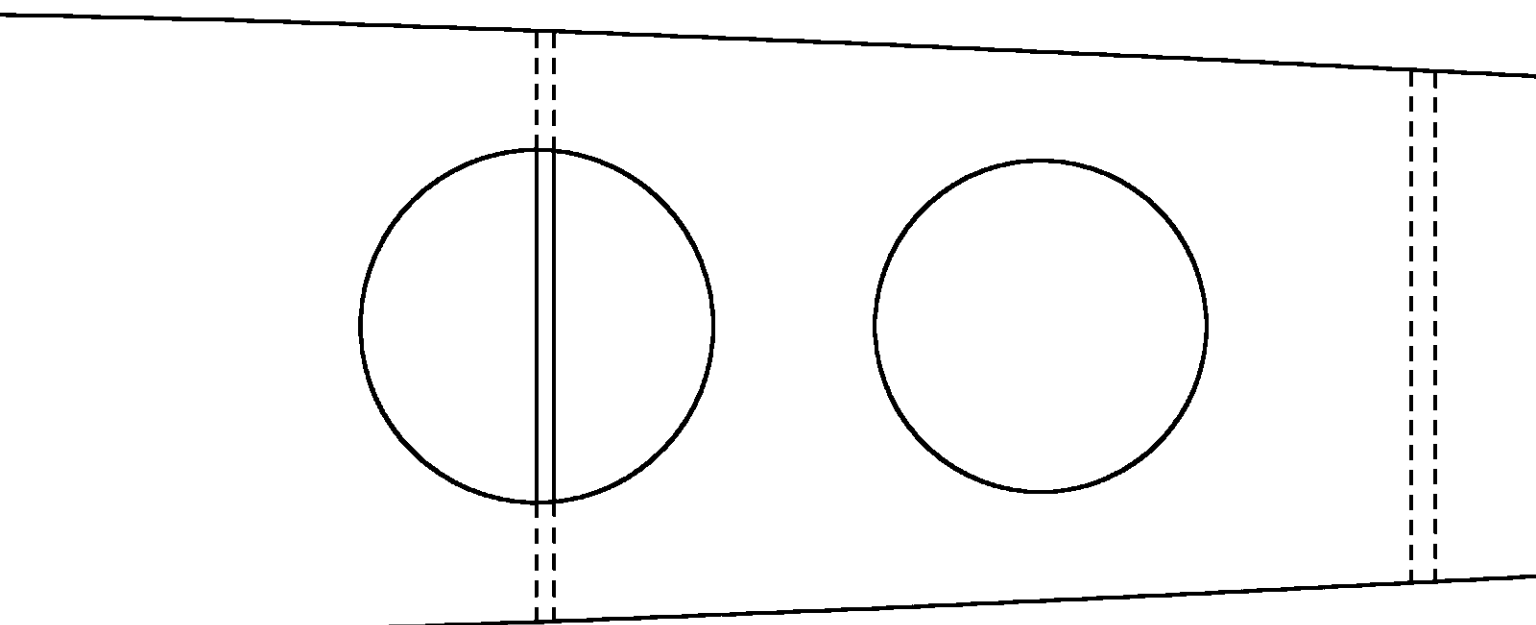
**F6**  
**1/8" Balsa**

**1-1/4" x**  
**3/8" LE**

**F5**  
**3/32" LITE**  
**PLY**

**2.8" THIC**  
**(OPTION**

**1-3/32" x**



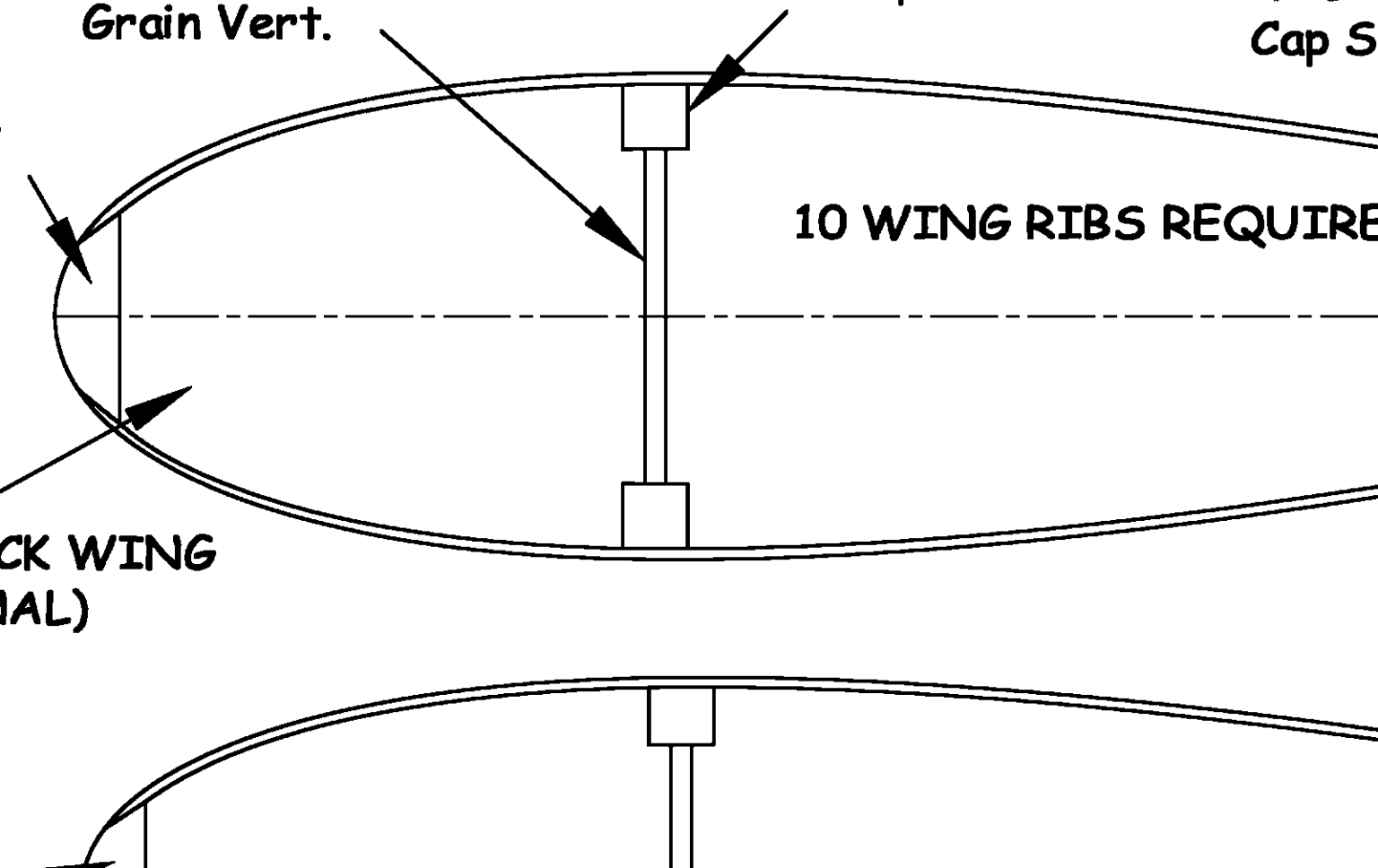
**1/8" Sht. Webs  
Grain Vert.**

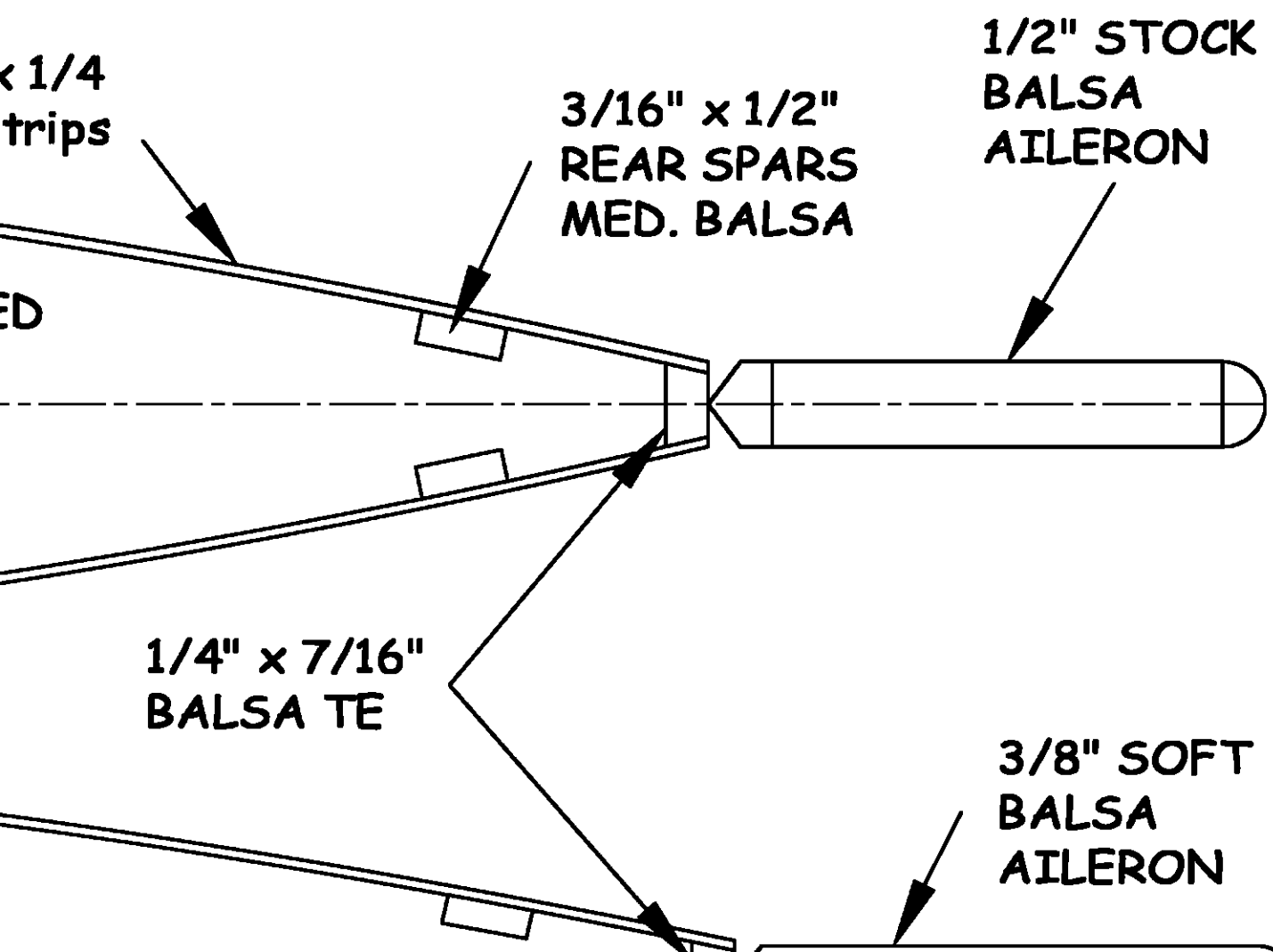
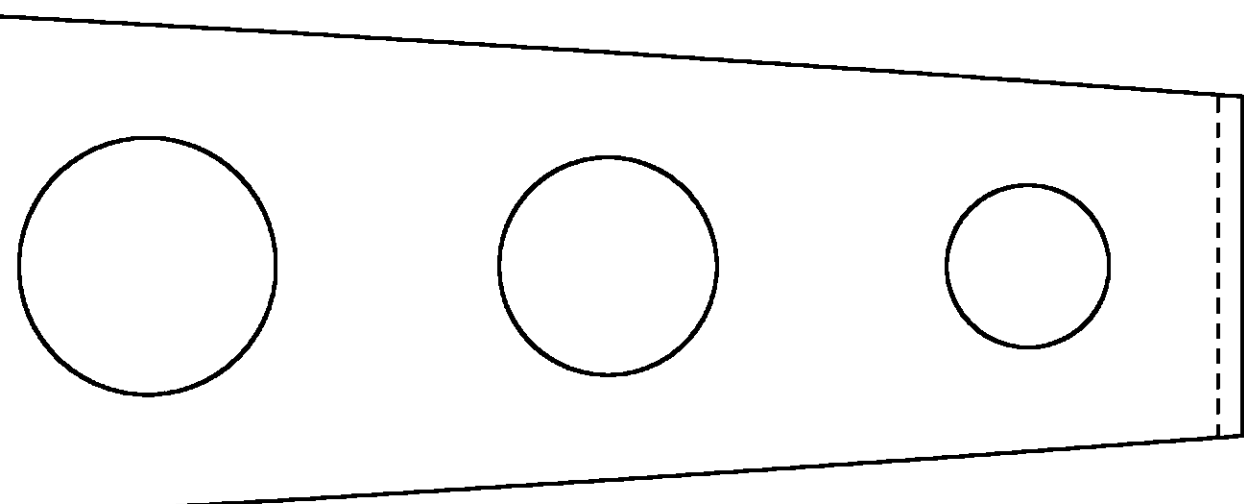
**3/8" Sq. Hard  
Balsa Spars**

**1/16" Cap S**

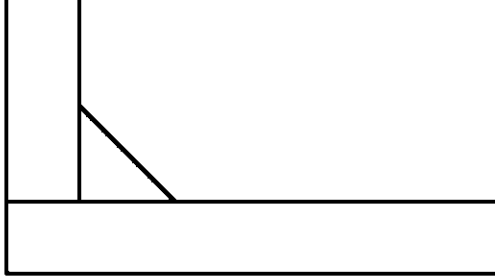
**10 WING RIBS REQUIRE**

**CK WING  
(IAL)**

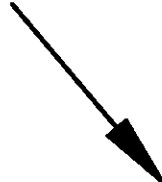




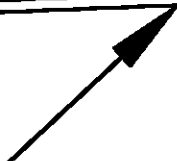




1/8" LITE PLY  
FUSE SIDES

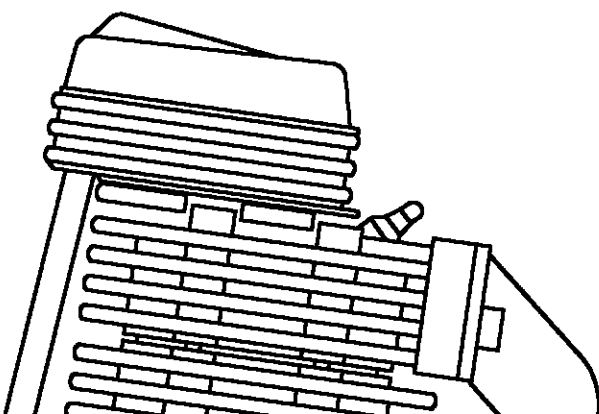


1/16" PLY  
FUSE DOUBLER



CUT AWAY P  
L.E. BETWEEN  
BACK TO SPA

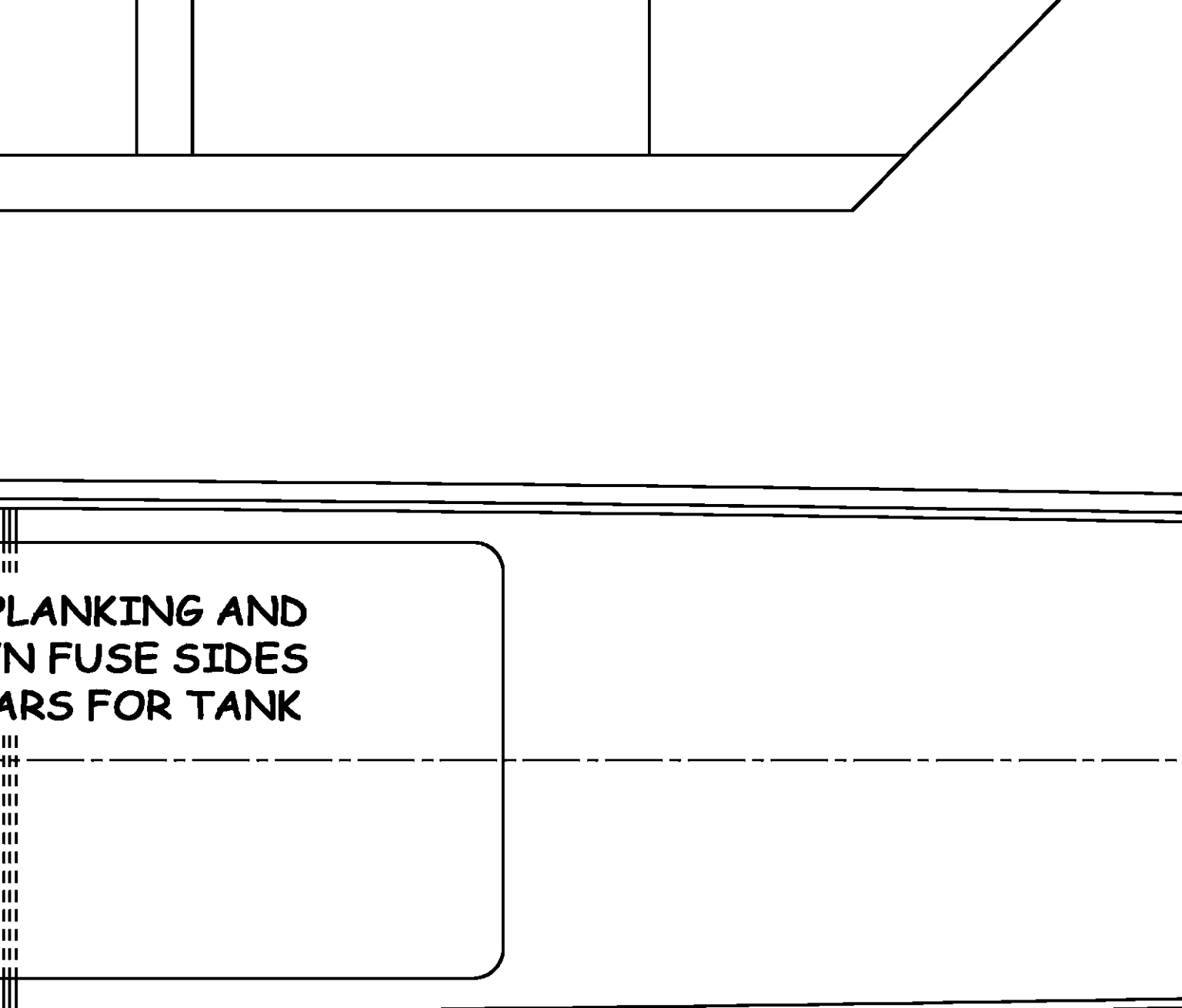
SAITO .72



TOP HATCH  
1/8" LITE PLY



CUTO  
"STO



PLANKING AND  
IN FUSE SIDES  
PARTS FOR TANK

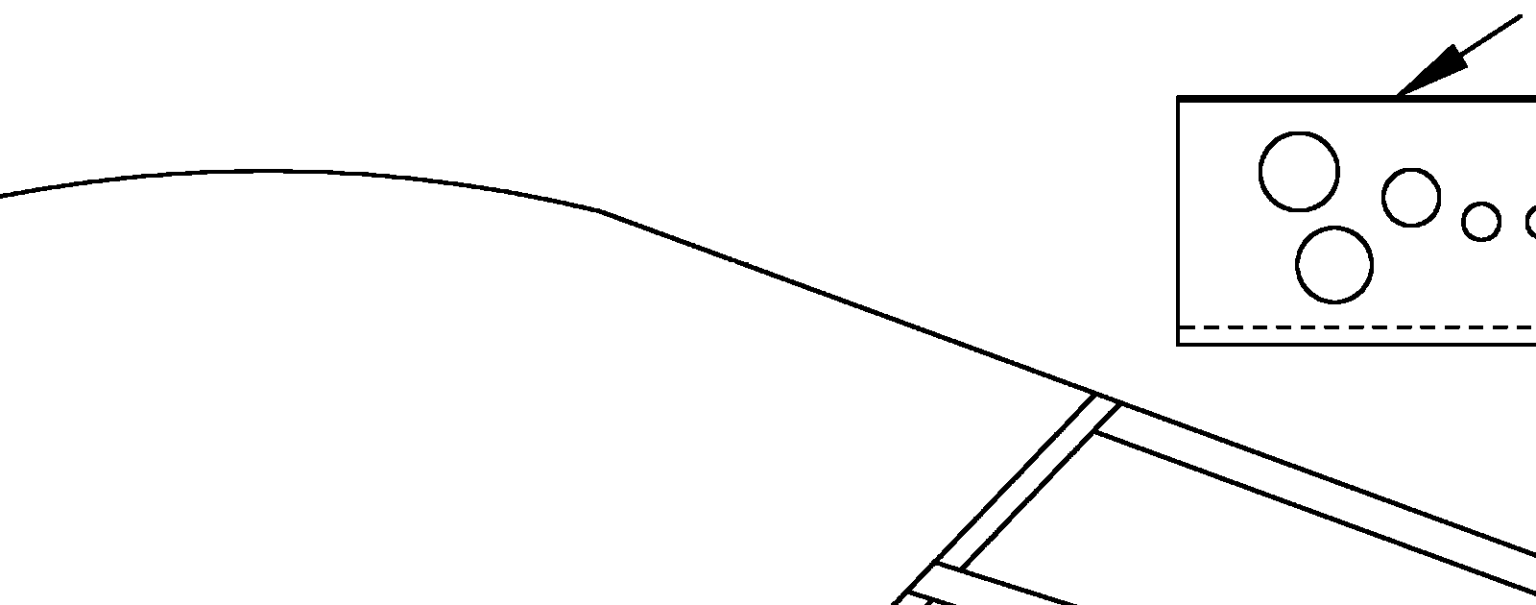
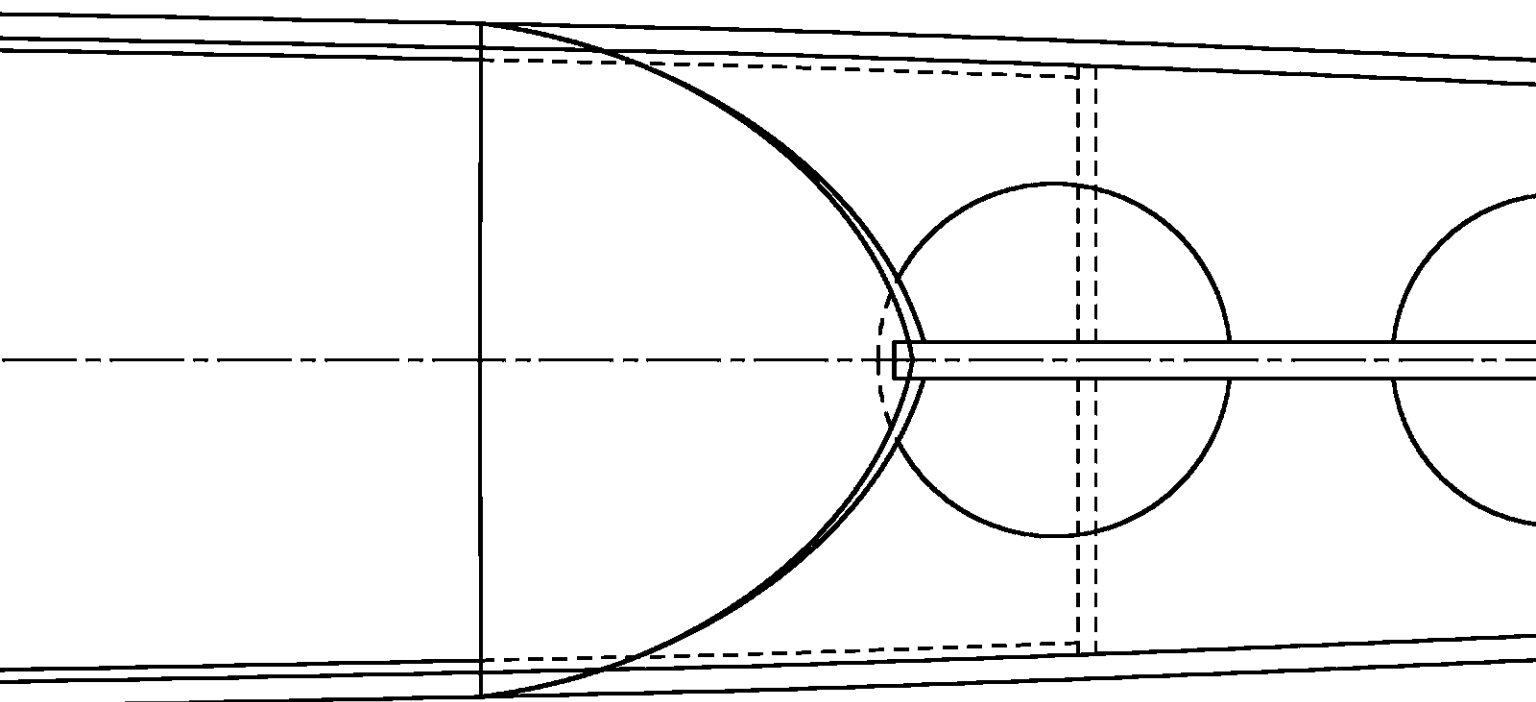
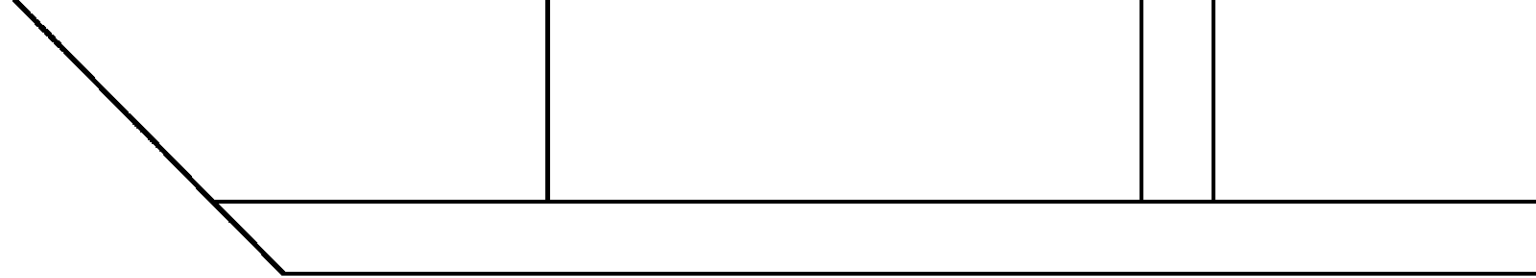
The drawing shows a cross-section of a fuselage with a rounded nose. A callout box on the left side contains the text 'PLANKING AND IN FUSE SIDES PARTS FOR TANK'. The callout box has a dashed line extending from its right side to the fuselage wall, indicating the location of the planking. The fuselage wall is shown with a double-line representation, and the planking is indicated by a dashed line.

NOT SHOWN FOR  
1/8" THICKNESS WING

This text is located at the bottom left of the page. It is positioned below a dashed line that represents a wing structure. The text is in a bold, sans-serif font.

MOLDED CANOPY  
#HAN2154  
(HORIZON HOBBY)

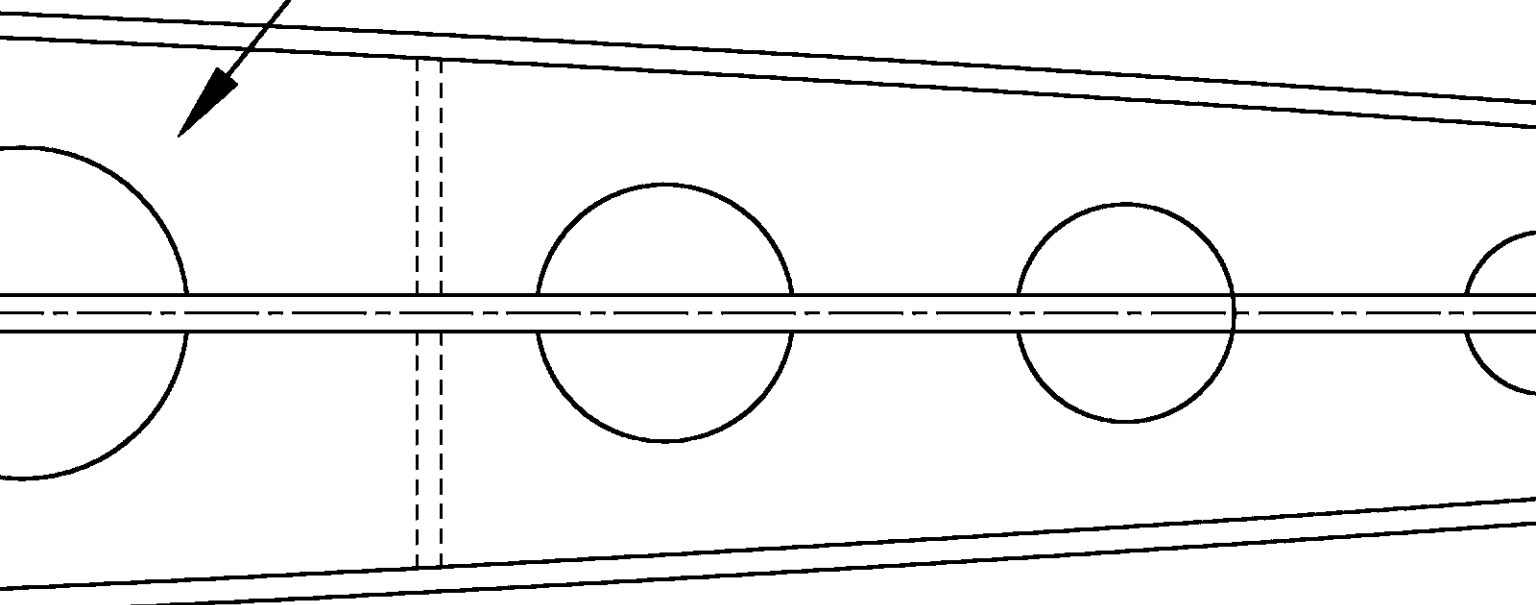
This text is located in the lower right quadrant of the page. It is in a bold, sans-serif font. Below the text, there is a dashed line representing the canopy structure, which is shown as a trapezoidal shape with a curved top edge.



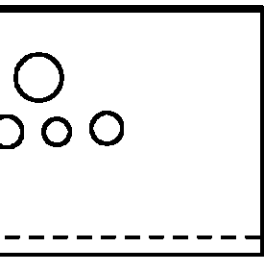
1 3/8" LE  
3/8" LE

2.5" THICK  
(STOCK)

SIDE TURTLEDECK STRINGERS  
OMITTED FOR CLARITY



"DASH", 3/32" BALS

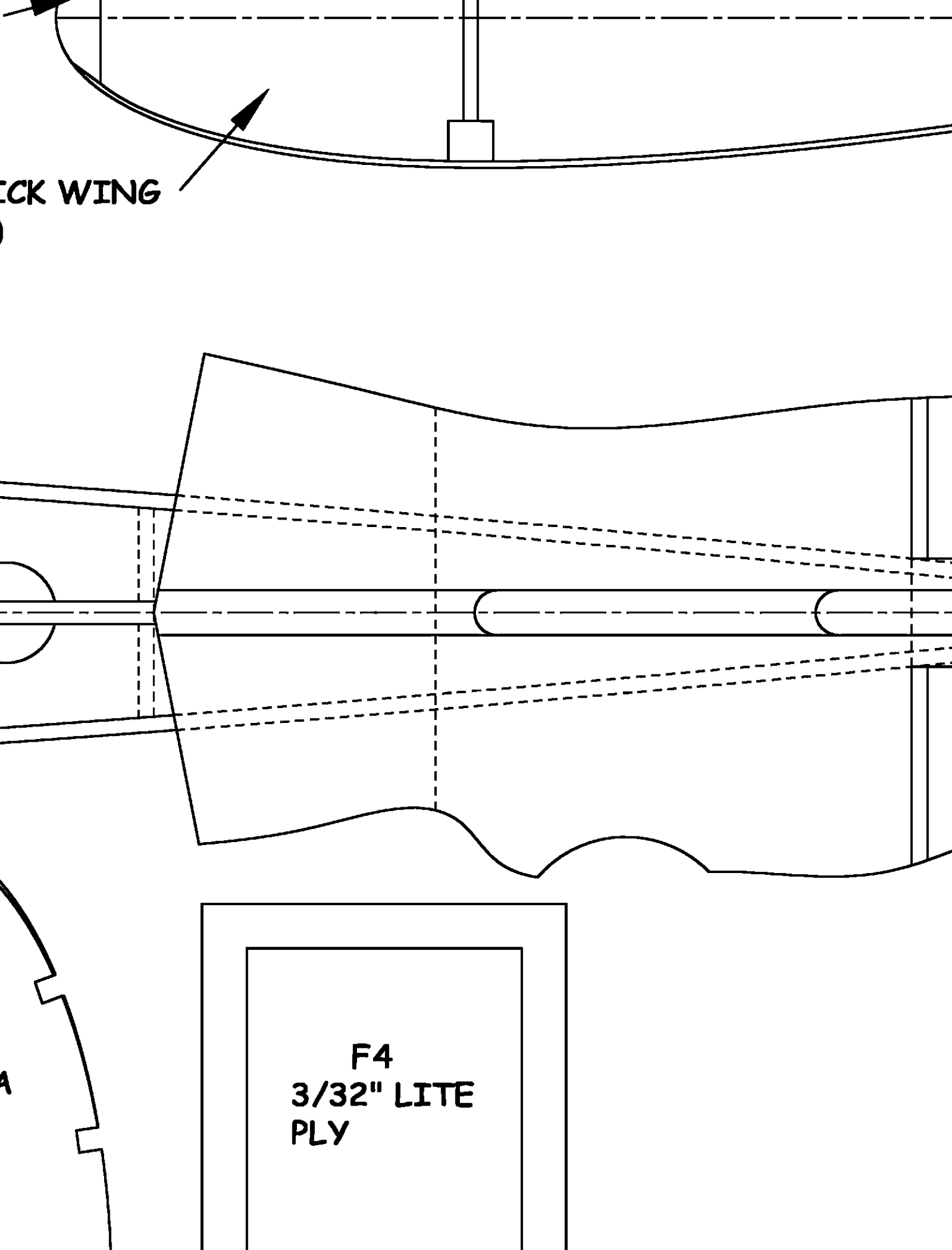


F3  
1/8" BALS

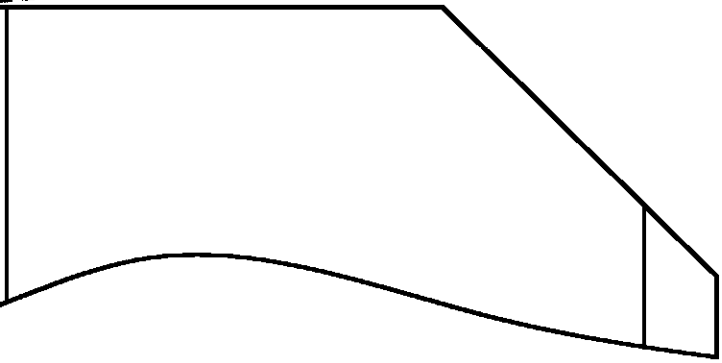
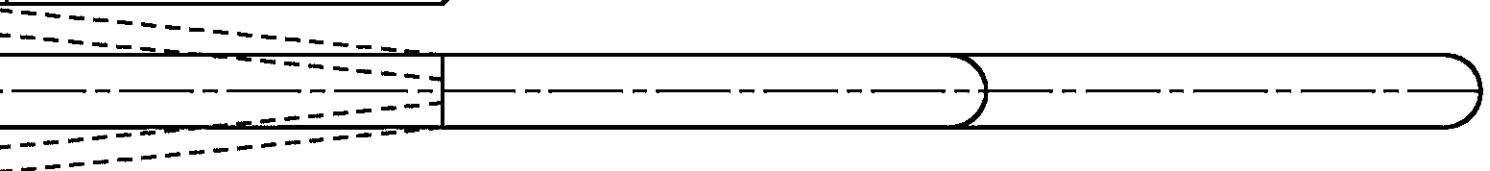
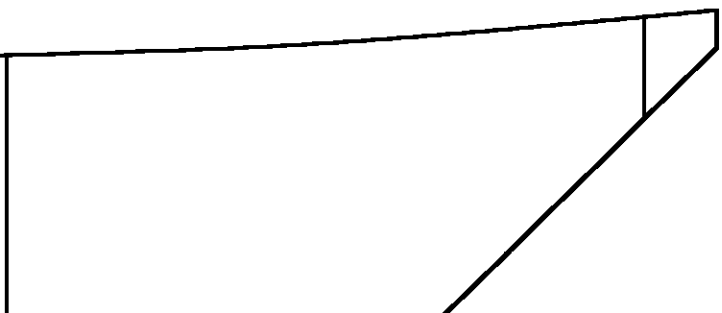
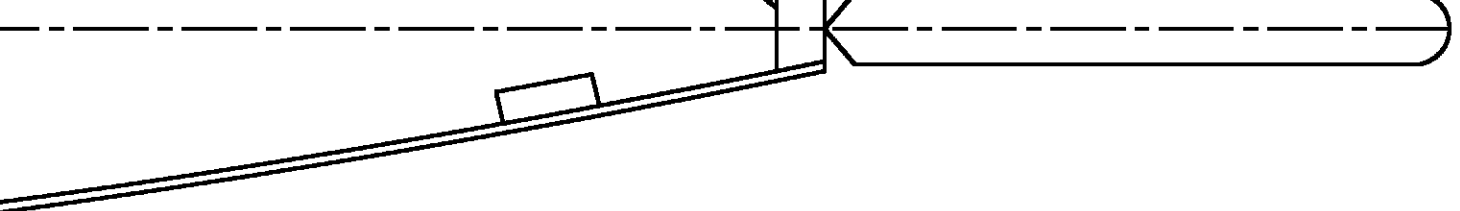
3/16" SQ. BALS  
STRINGERS (5)



BACK WING

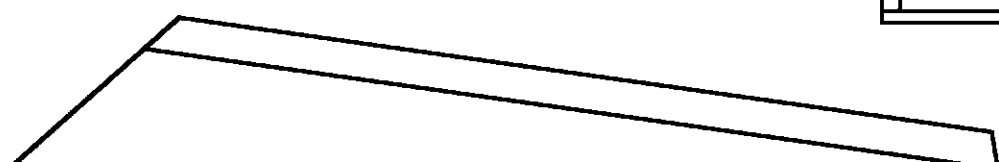
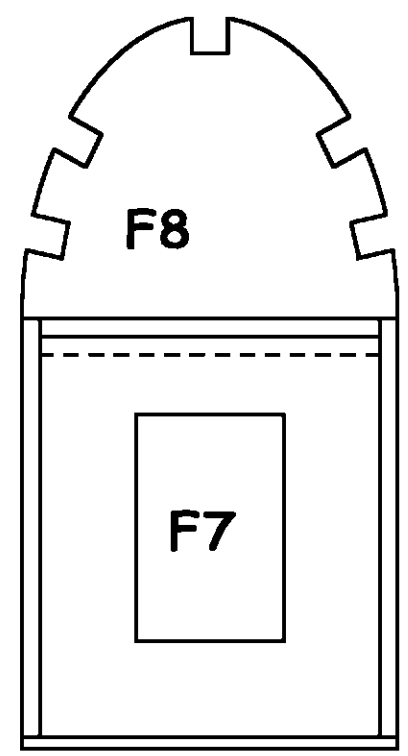


F4  
3/32" LITE  
PLY



**F8**  
**1/8" BALSA**

**F7**  
**3/32" LITE**  
**PLY**



**FIREWALL 1/4"  
BIRCH PLY**

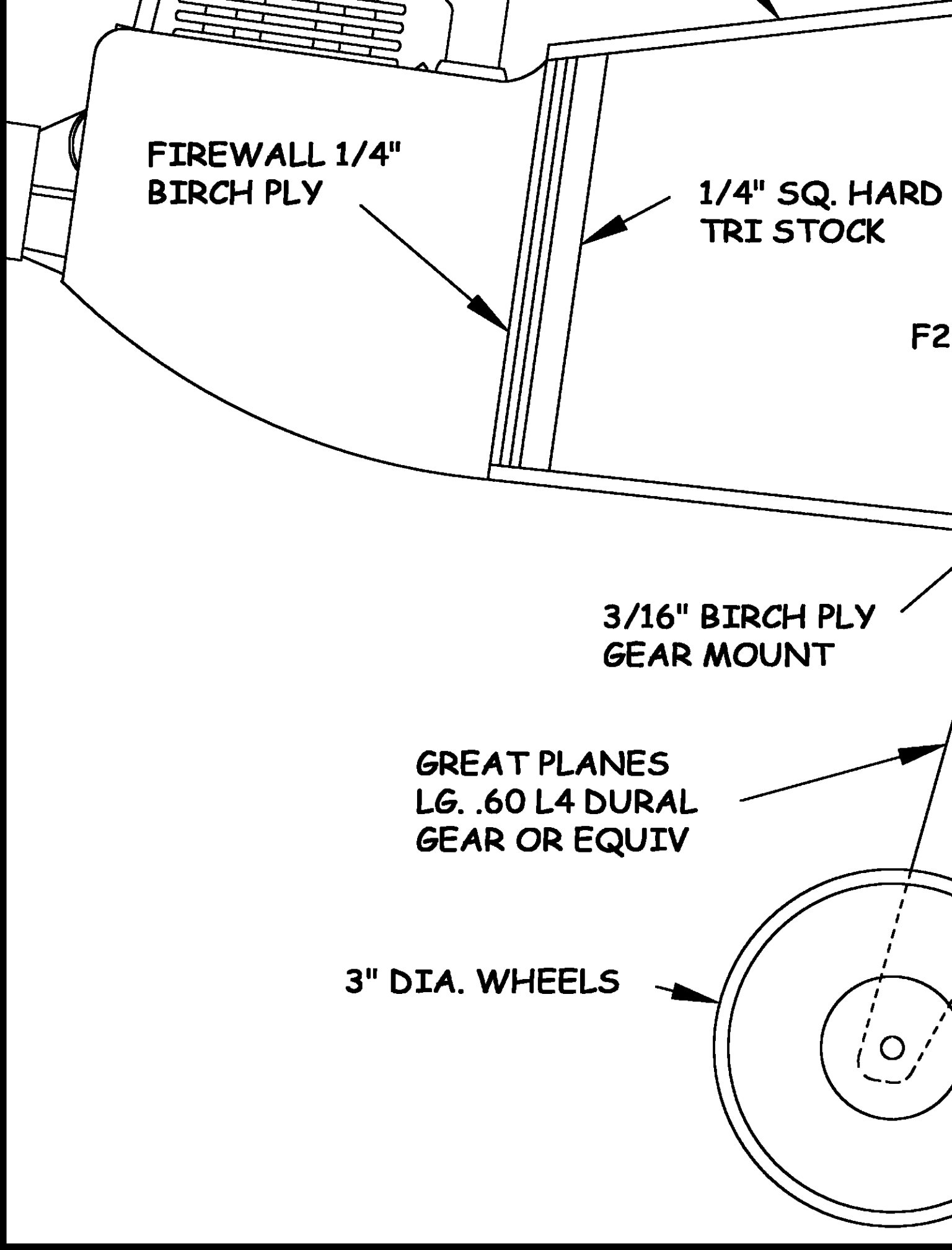
**1/4" SQ. HARD  
TRI STOCK**

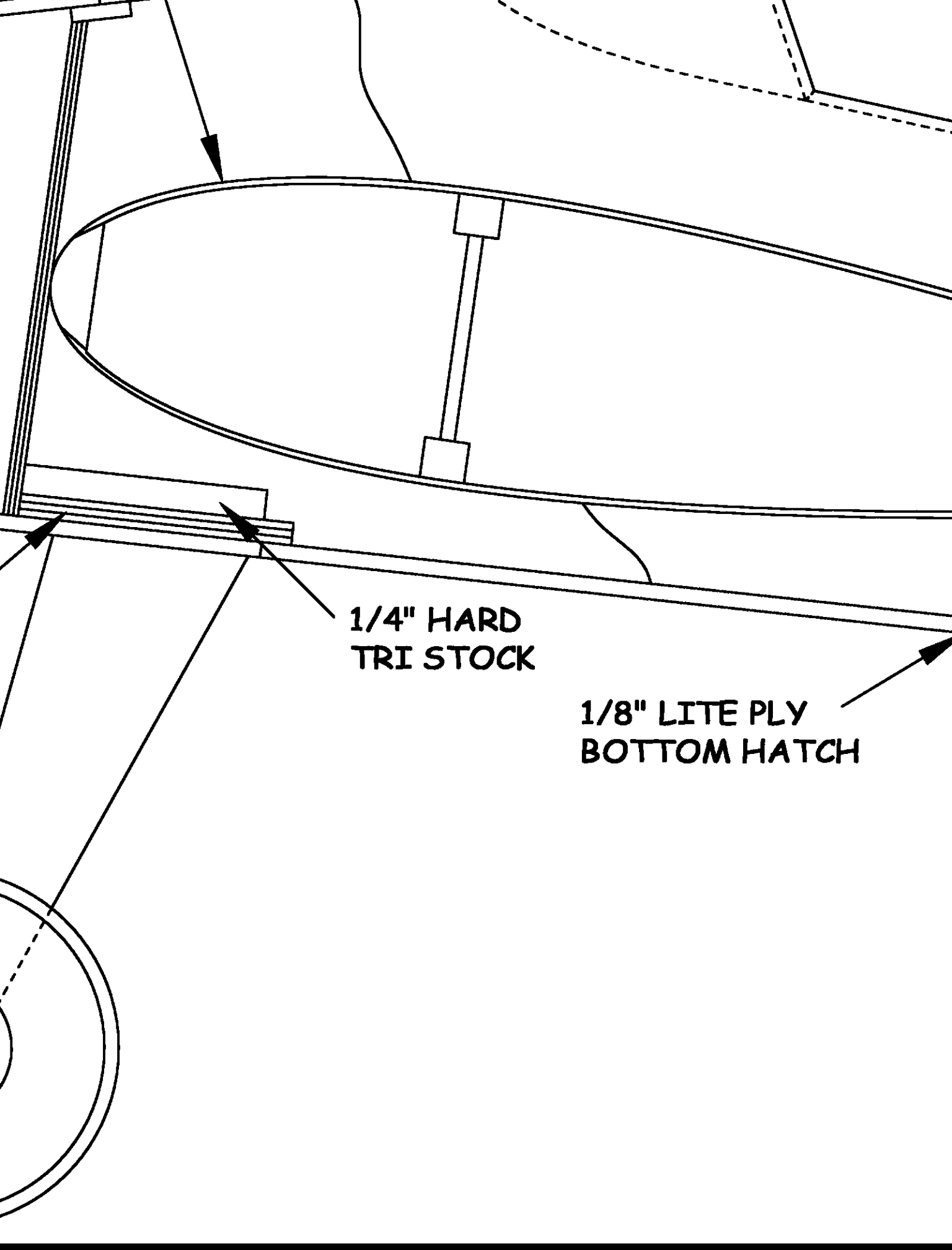
**F2**

**3/16" BIRCH PLY  
GEAR MOUNT**

**GREAT PLANES  
LG. .60 L4 DURAL  
GEAR OR EQUIV**

**3" DIA. WHEELS**

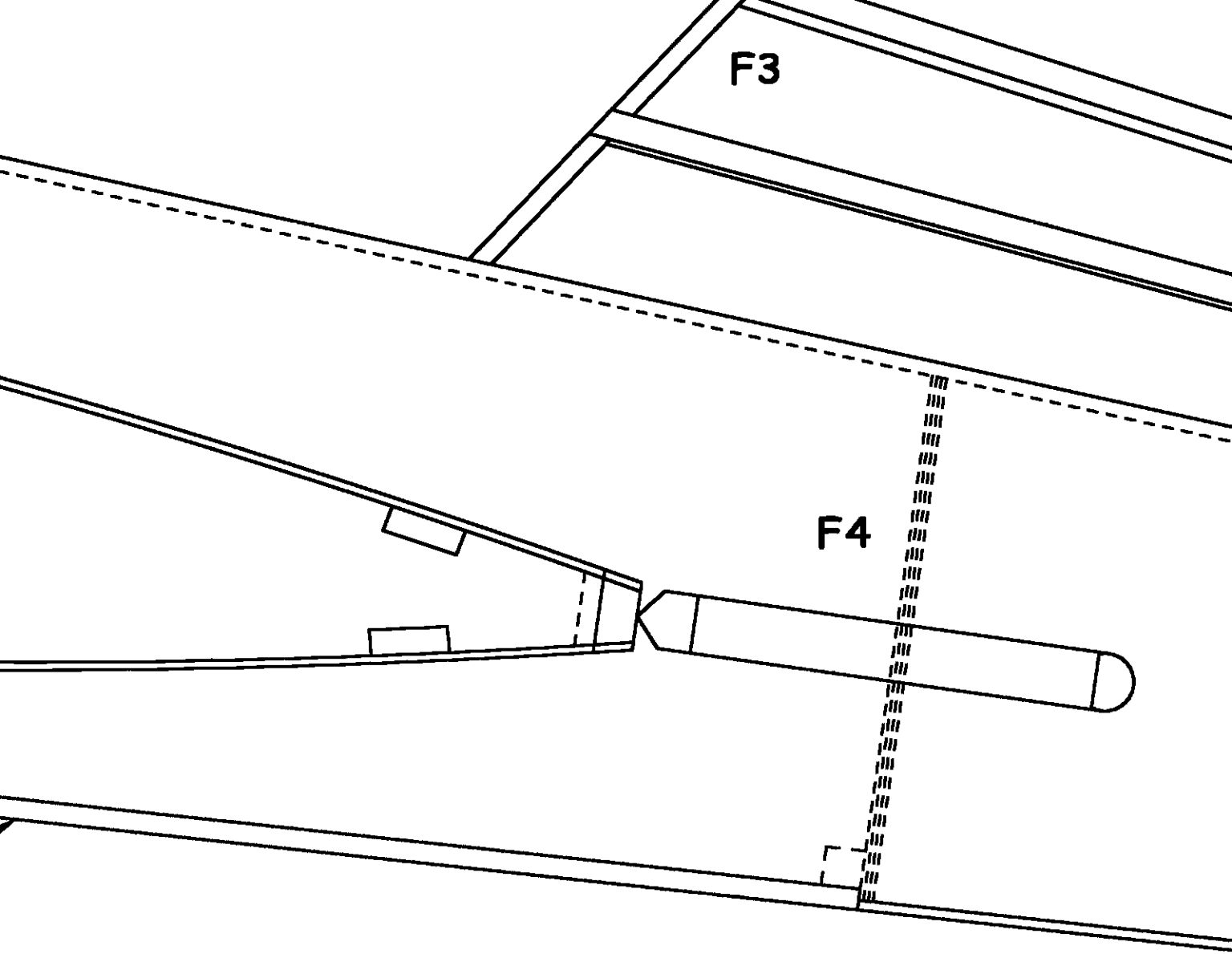




1/4" HARD  
TRI STOCK

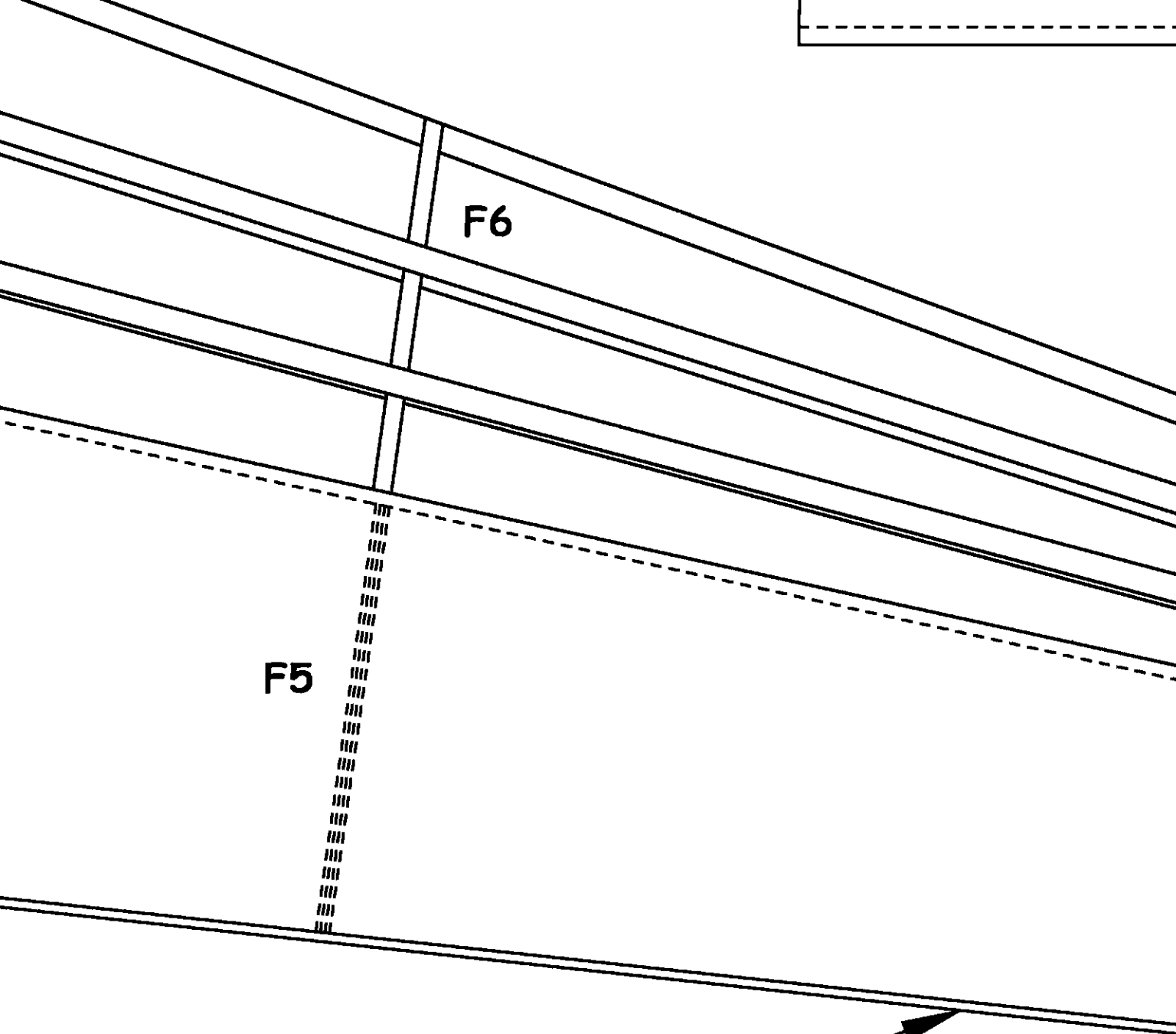
1/8" LITE PLY  
BOTTOM HATCH



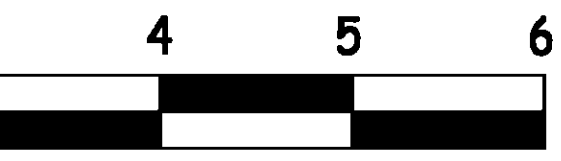


FUSELAGE ROTATED 8°  
FROM HORIZONTAL



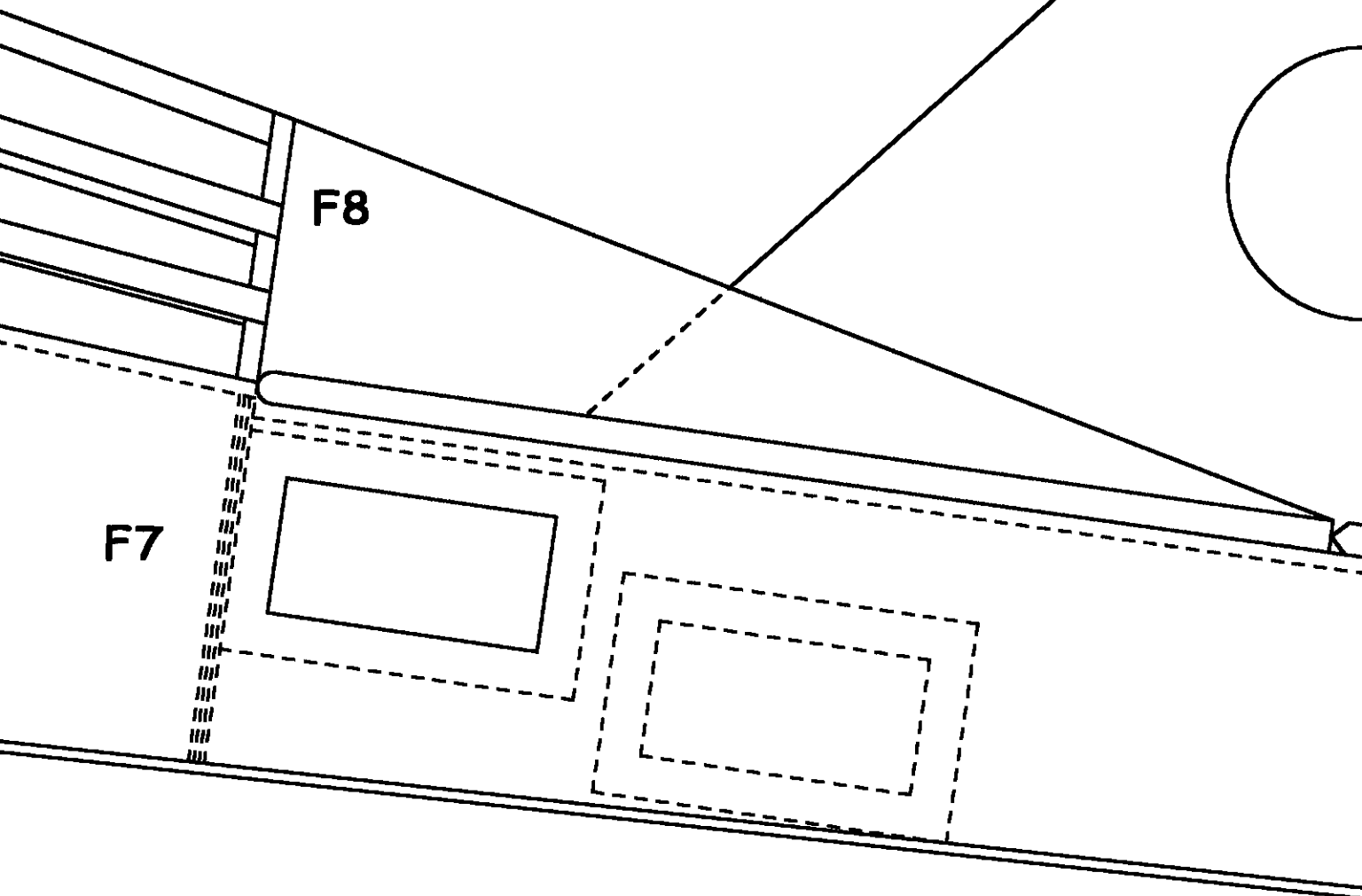


1/16" Balsa  
Crossgrain  
Planking



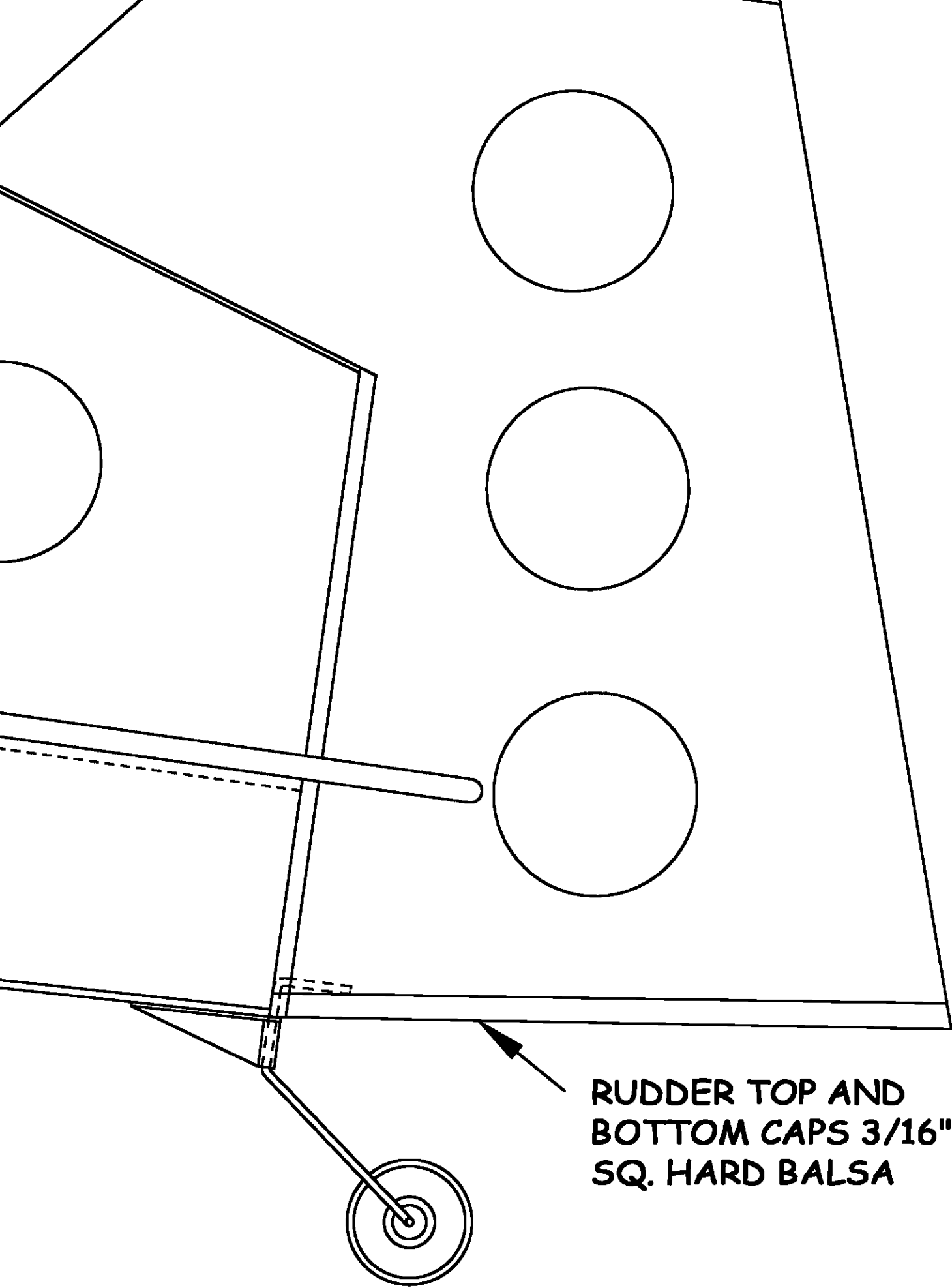
**A**  
CAD  
TIL

3/16" FILL F8 TO FRONT OF FIN  
BALSA BLOCK FILL BOTH  
SIDES F8 TO BACK OF STAB



# PIZAZZ

DESIGNED BY DAVE FRITZKE - AUGUST 2006  
DRAWN BY GENE ROCK



**RUDDER TOP AND  
BOTTOM CAPS 3/16"  
SQ. HARD BALSA**