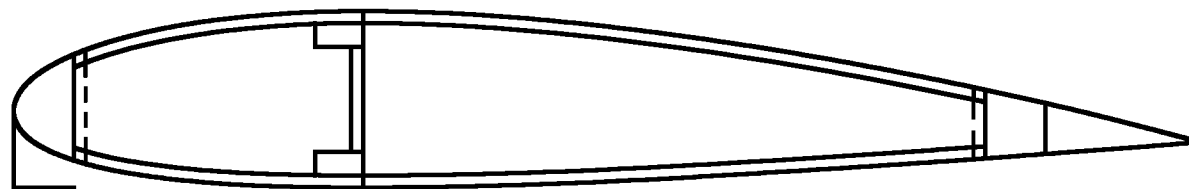
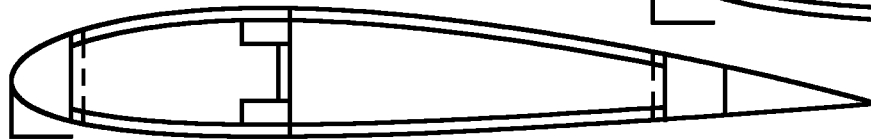


**1/8" Sheet**

**Web  
1/16" Balsa  
Vertical Grain**

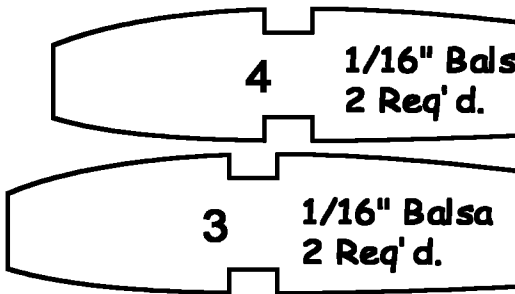
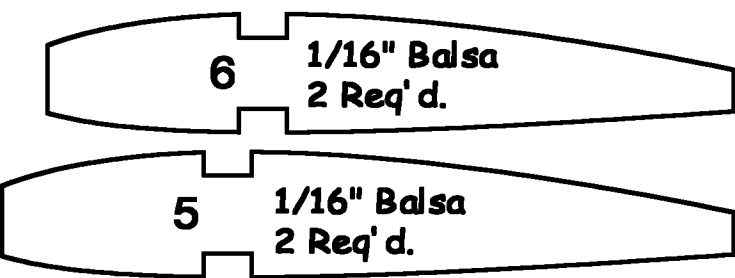
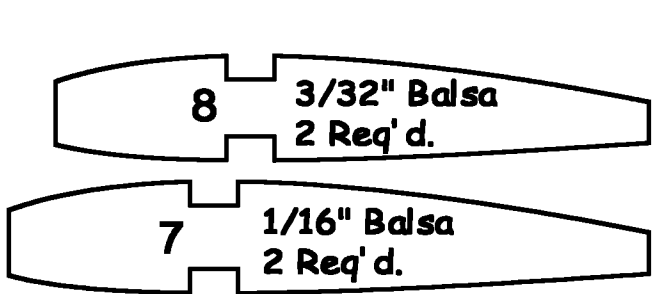


.375" x .593"

Sheeting  
1/16" Balsa

Cap Strips  
1/16" x 3/16"  
Balsa

ALERON TORQUE LINK IS 1/16" M.W.  
THRU NYLON TUBE GROOVED INTO T.E.



Balsa or Pine

1

.375" x .593" Balsa or Pine

Sheeting  
1/16" Balsa

1

1

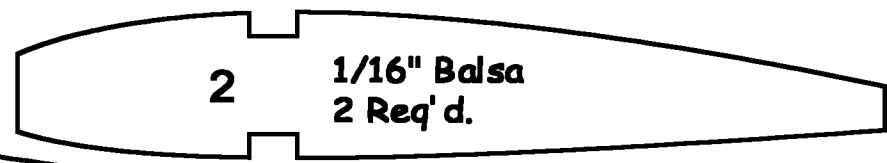
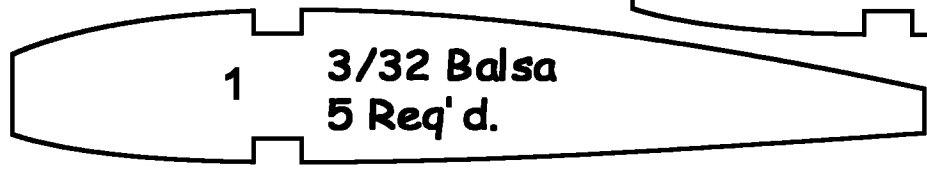
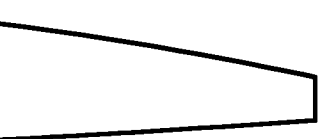
2

3

4

NYLON TUBE

Limit throw to + 1/8" to - 3/16"

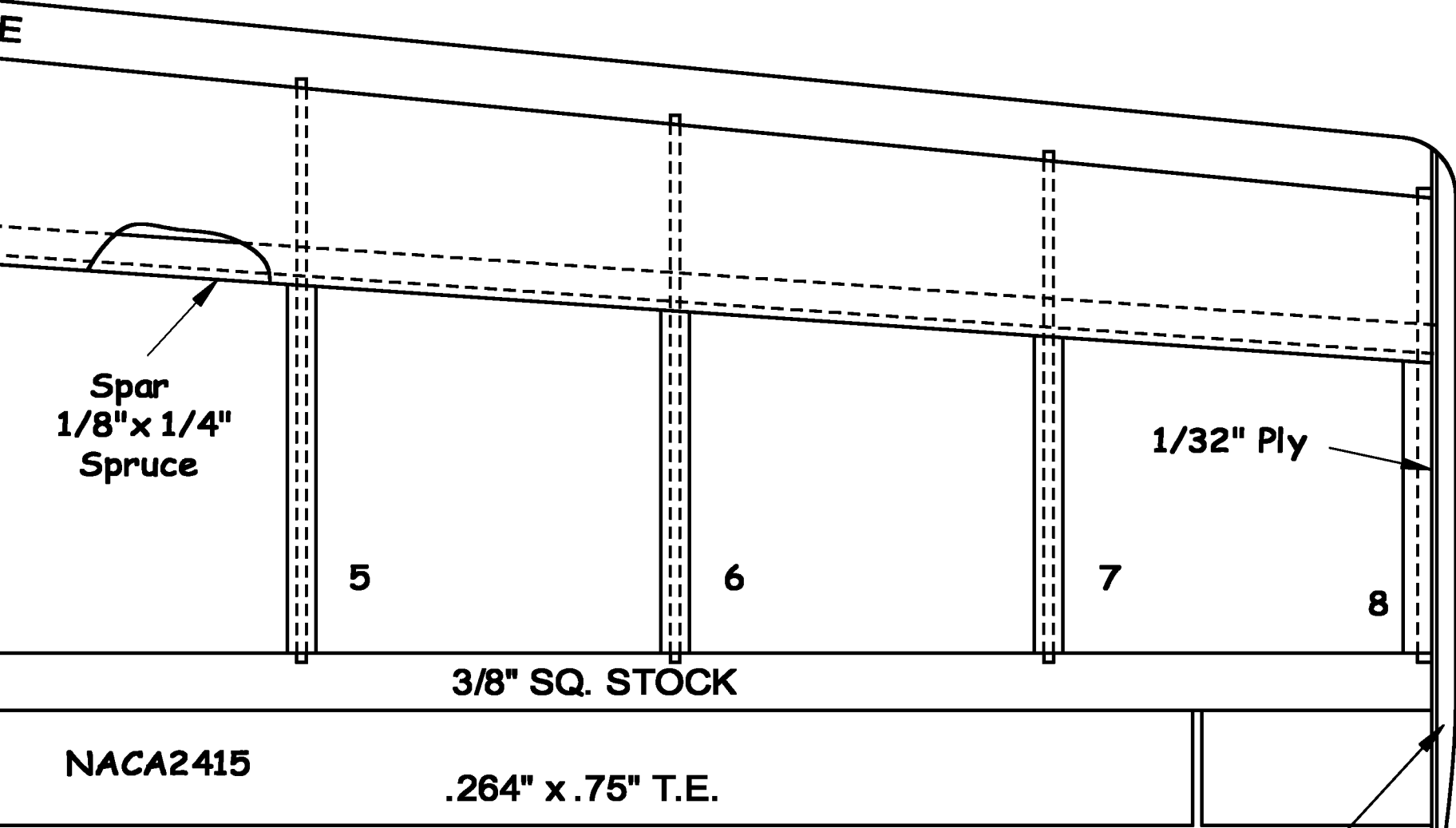


1  
3/32 Balsa  
5 Req'd.

2  
1/16" Balsa  
2 Req'd.

T  
SP

E



Spar  
1/8" x 1/4"  
Spruce

1/32" Ply

5

6

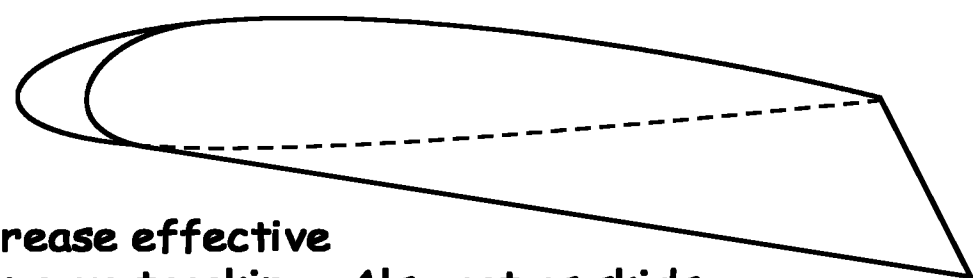
7

8

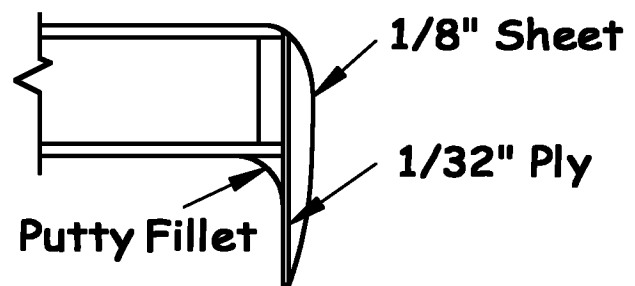
3/8" SQ. STOCK

NACA2415

.264" x .75" T.E.



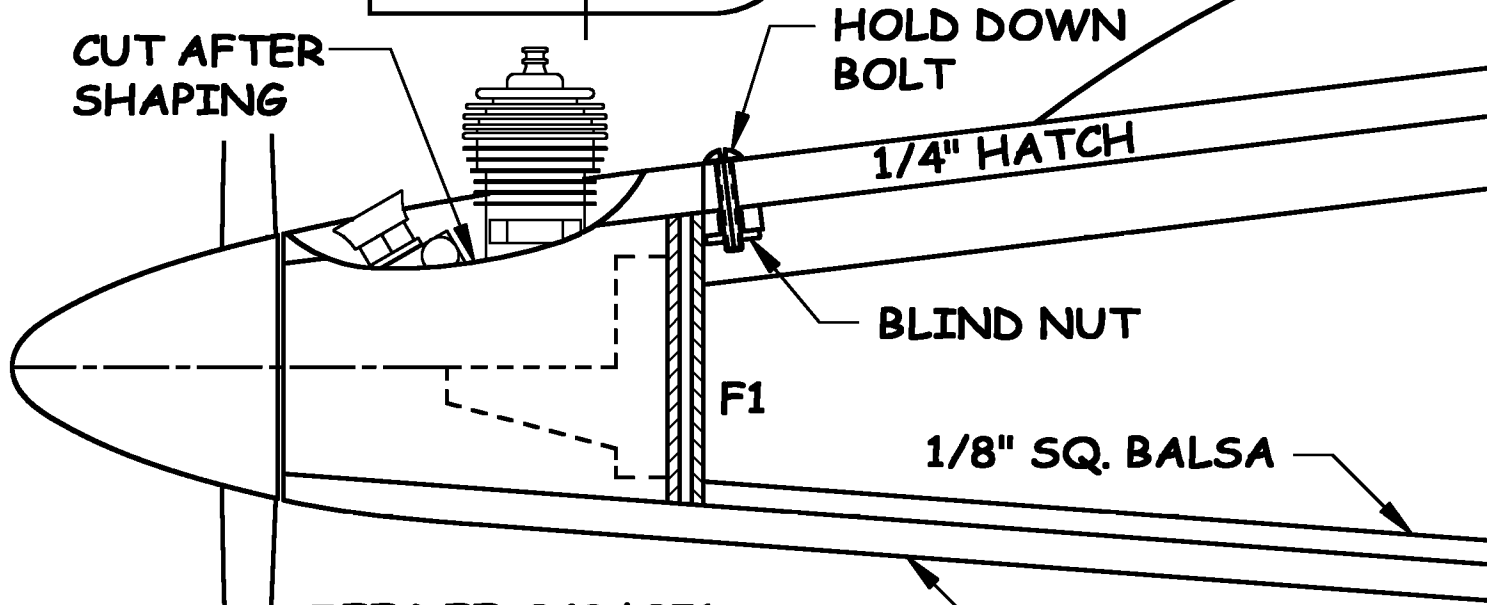
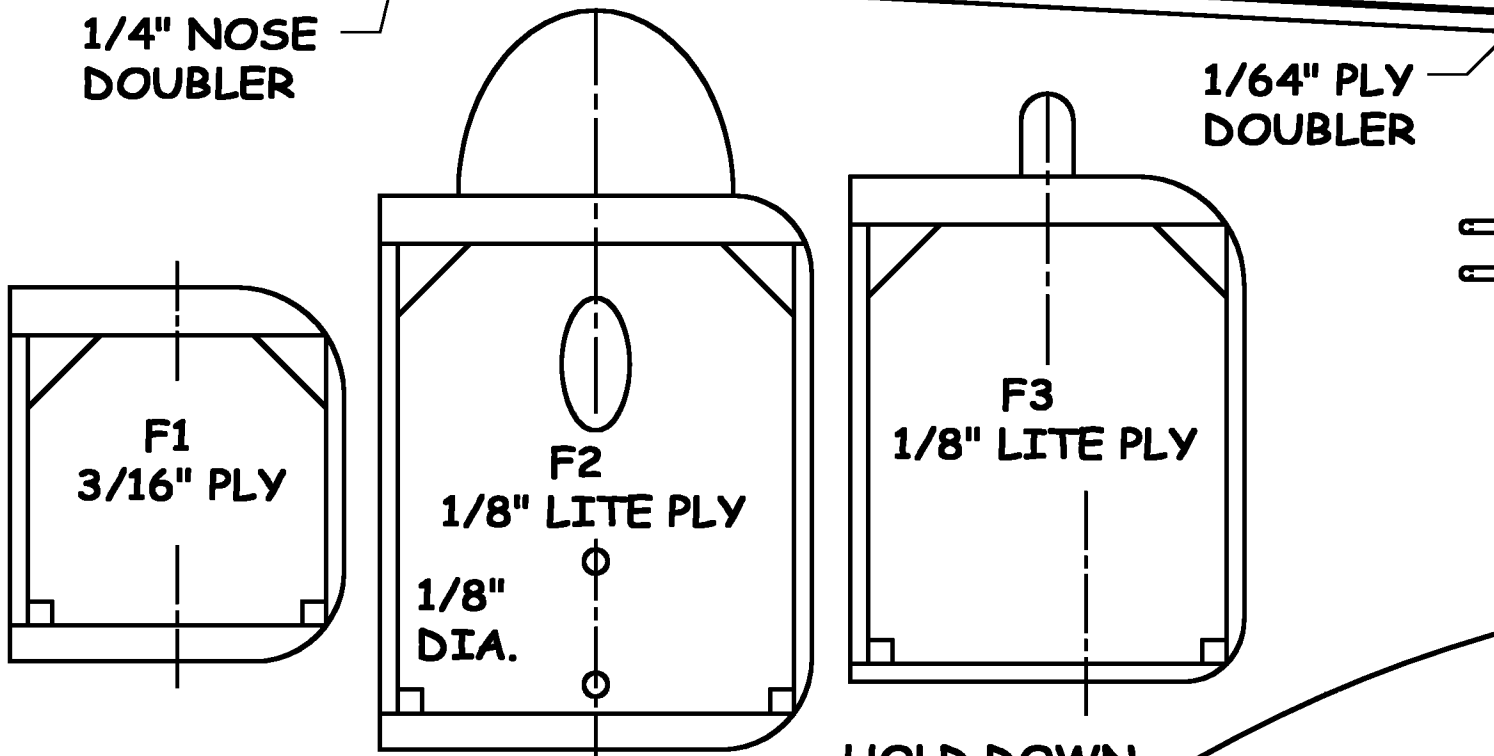
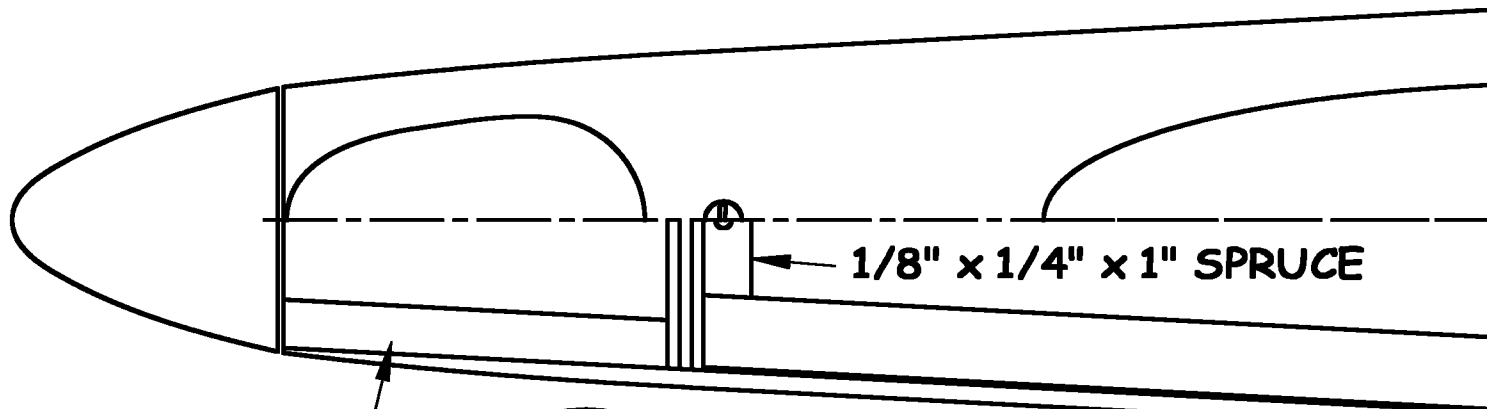
tips increase effective span, improve tracking. Also act as skids.



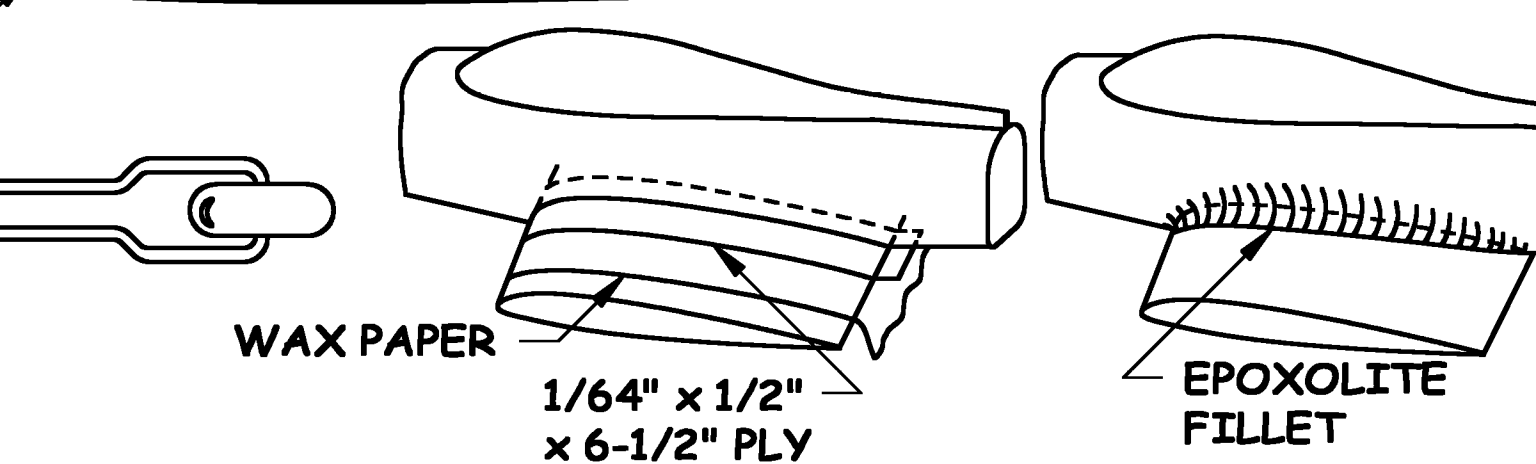
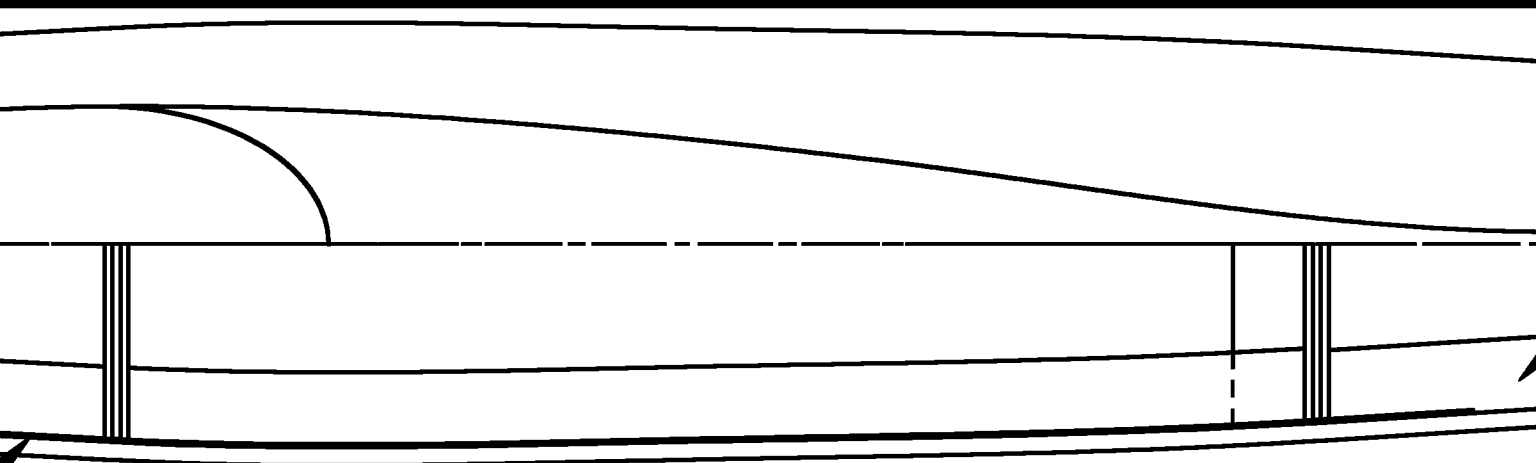
1/8" Sheet

1/32" Ply

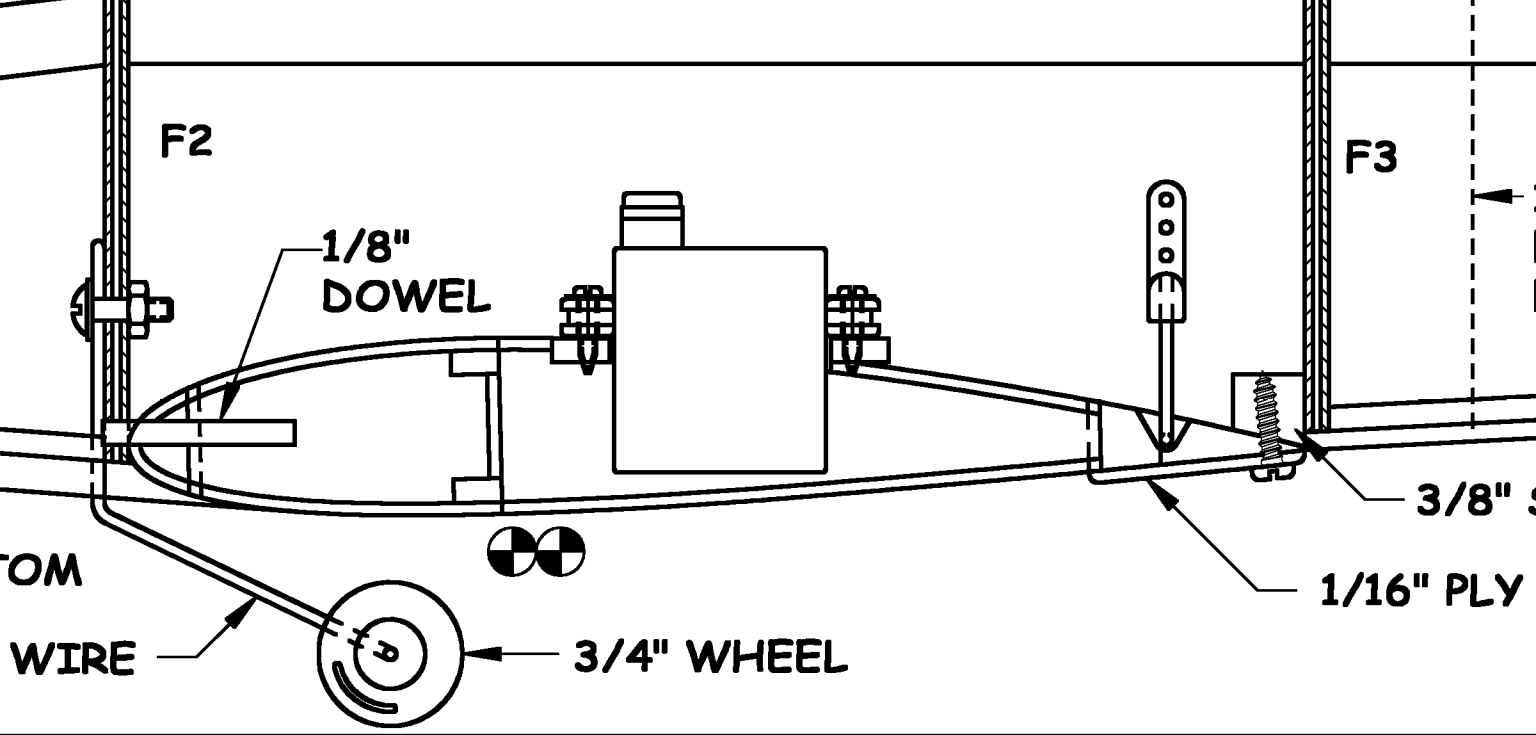
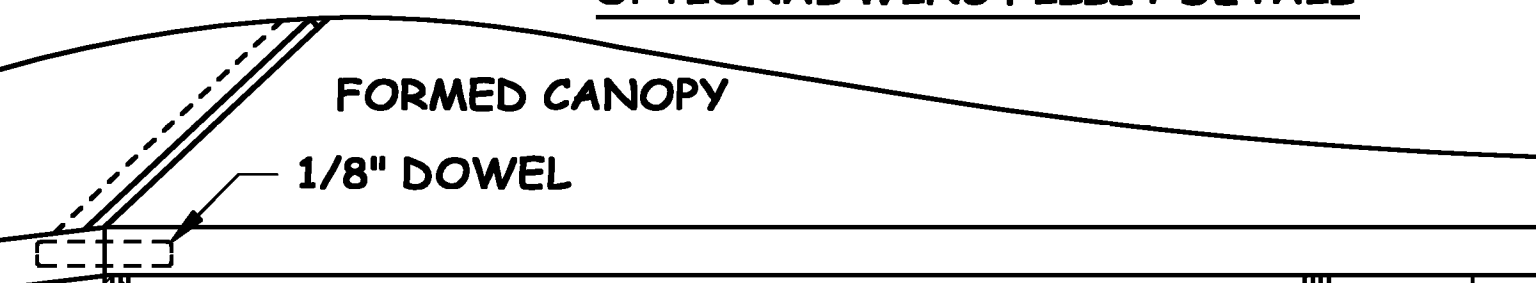
Putty Fillet



- TEE DEE .049/.051
- TATONE OR KRAFT MOUNT
- 1-3/8" SPINNER
- 6 x 3 PROP
- 1 OZ. TANK



OPTIONAL WING FILLET DETAIL



**3/8" TRIANGULAR STOCK**

**1/8" x 1/2" x 3" TIPS**

**1/8" STAB**

**1/8" SQ. SPRUCE TIE**

**1/8" ELEVATORS**

**1/8" DORSAL**

**1/4" TOP**

**3/8" TRIANGULAR STOCK**

**1/8" SQ. BALS.**

**1/64" PLY DOUBLER  
FROM REAR OF  
FIREWALL TO HERE**

**SQ. BLOCK**

**SCREW PLATE**

**SPECIFICATIONS**

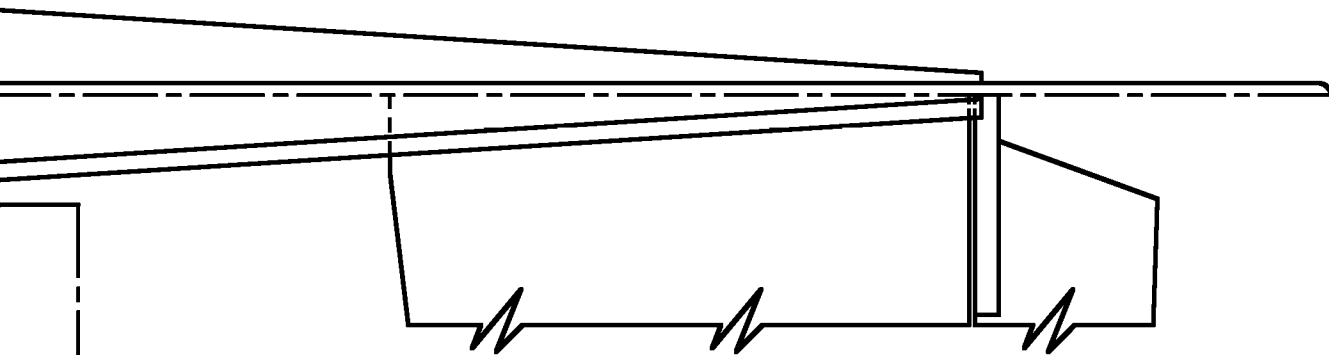
**SPAN--40"**

**LENGTH--30"**

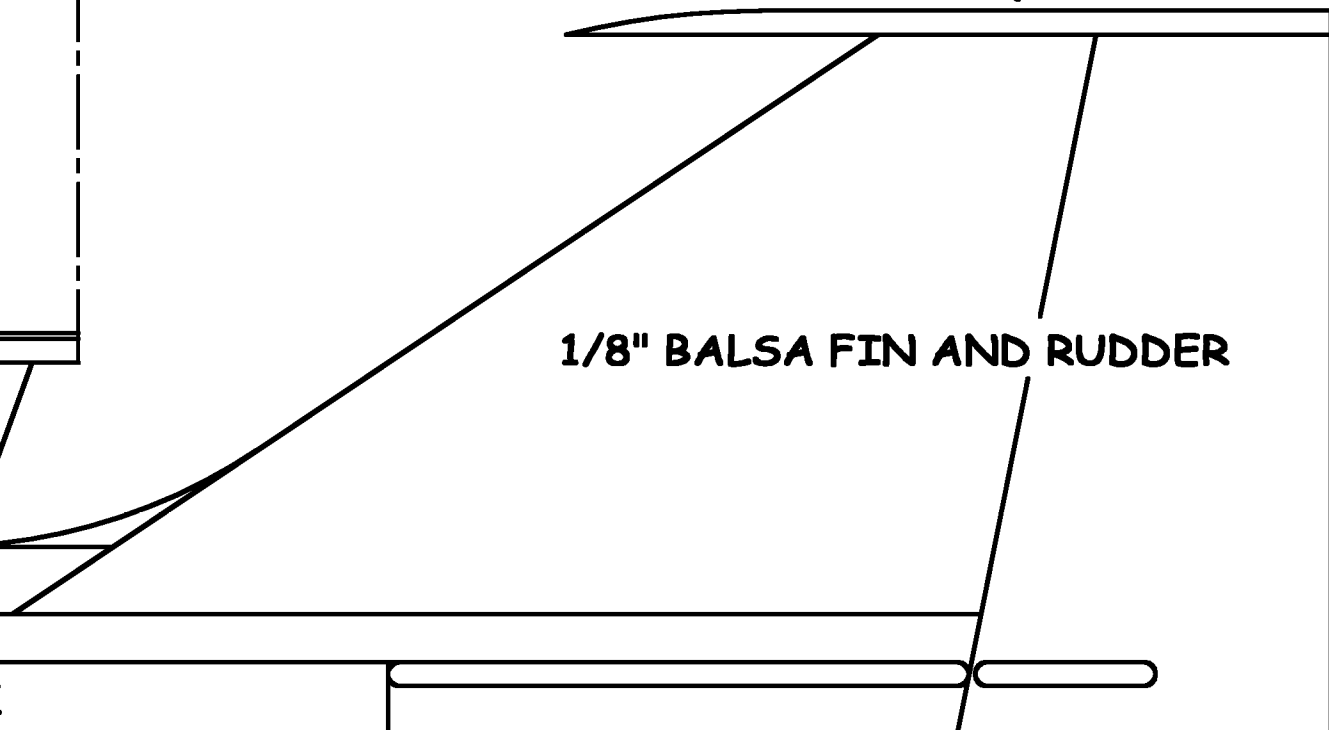
**WEIGHT--Approx. 22 oz. all up**

**ENGINE--Cox TeeDee .049 or .051**

**FUNCTIONS--Ailerons/elevator or  
coupled ailerons-rudder/elevator**



1/8" SQ. SPRUCE TIP

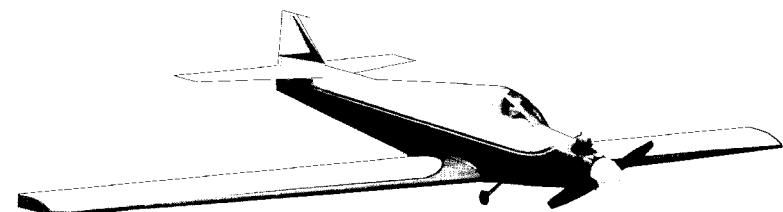


1/8" Balsa Fin and Rudder



PAPER CLIP WIRE SKID

3/32" CROSS GRAIN



**MACH-NONE**

**ACE R/C** INC.  
 BOX 511, HIGGINSVILLE, MO, 64037