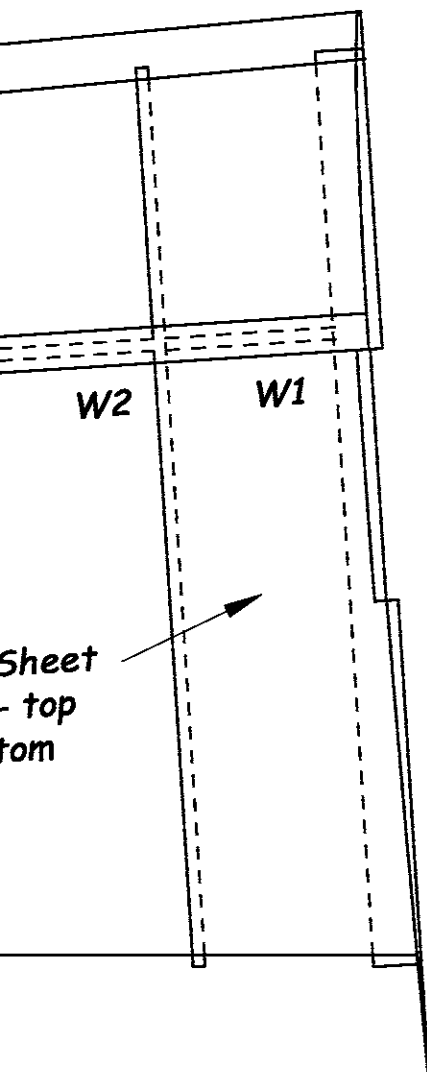
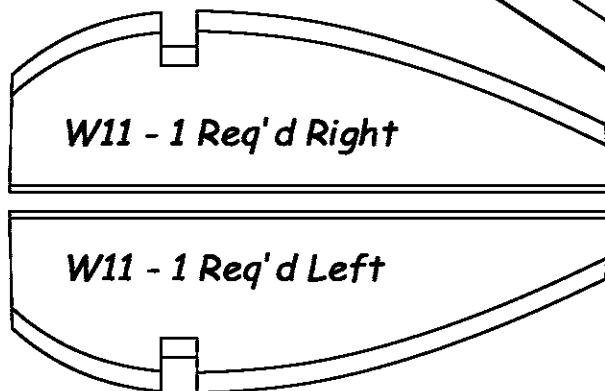
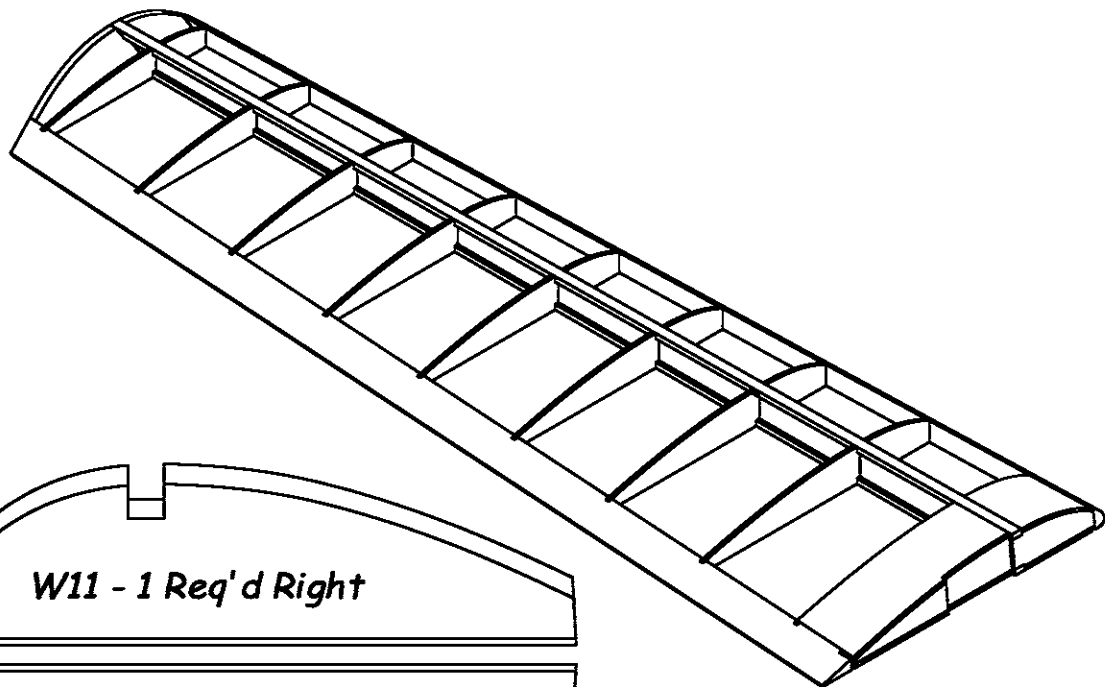
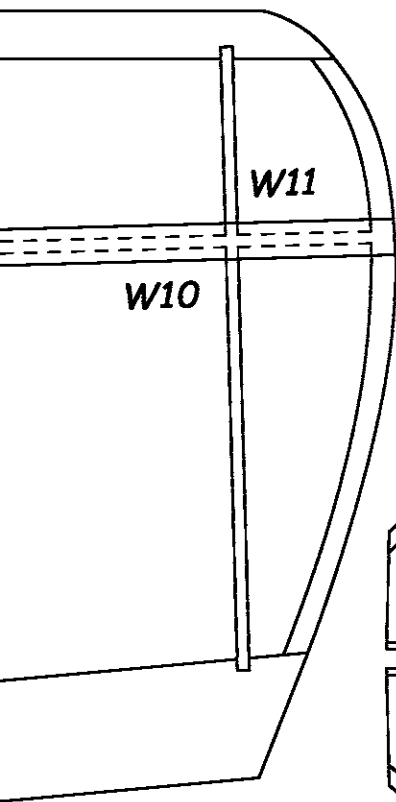


1/16" Balsa & bot

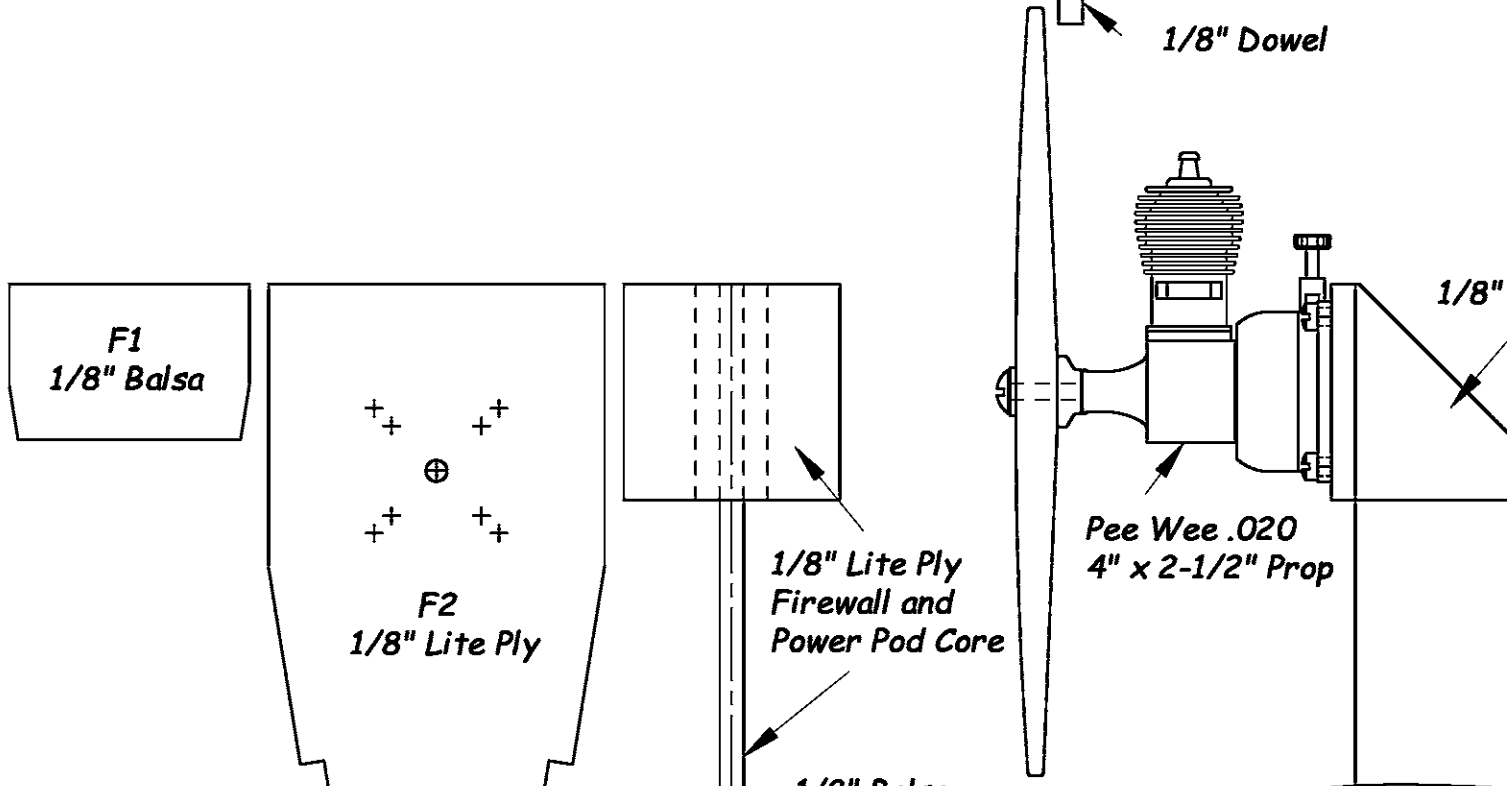
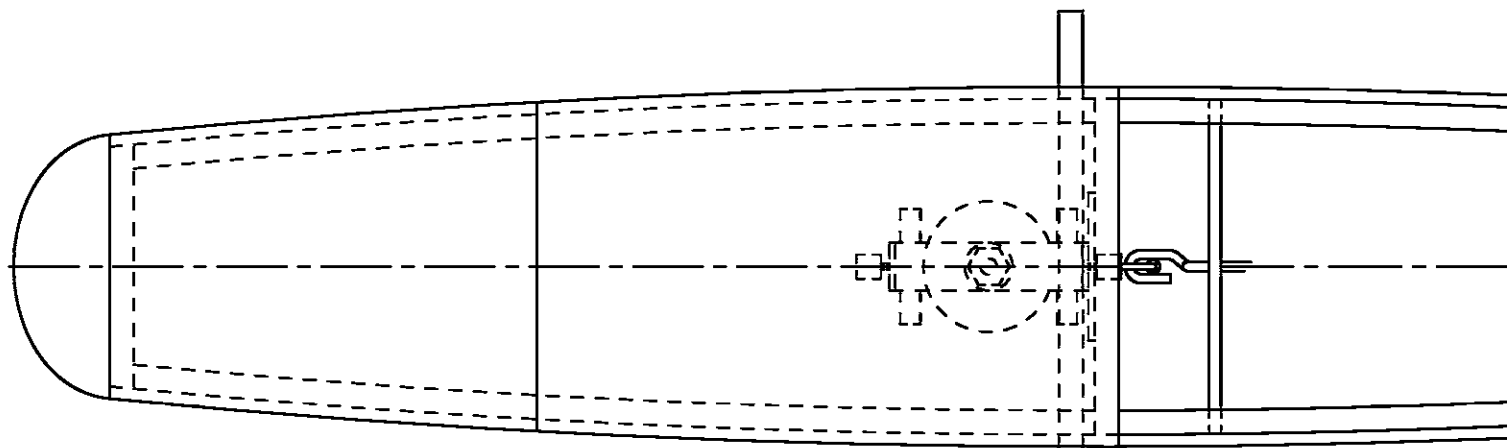


Notes:

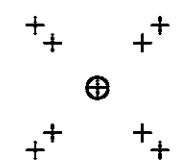
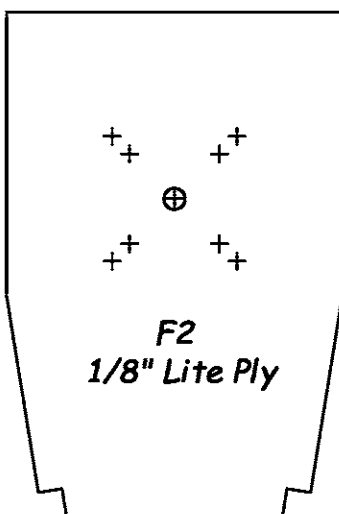
The wing plan shows notched leading and trailing edges. Remove 1/16" from both the leading and trailing edge of W1 thru W10 if this method of construction is not desired.

Center rib is from 1/4" balsa and is notched for the pylon. There is no center dihedral brace but the center section is sheeted with 1/16" balsa before combining the wing halves. The Center section ribs are then reworked to the 6° angle by using your favorite method then join the wing halves. Glass the dihedral joint both top and bottom, 1" wide light glass will do. No dihedral joint is required when using this method of construction for all the stress from bending is taken in the outer most elements of the construction, in this case, the glass. This type of construction works best when there is both a top and bottom spar joined using a shear web of vertical grain. You then have created an "I Beam" which is the most efficient structure known to man for taking bending loads.

Because this is a glider, the shear web is not necessary after W3 but I do recommend it all of the way to the tip for it helps minimize warpage. Remember, the original was a foam wing so the additional weight of a shear web to the tip will be insignificant.



F1
1/8" Balsa



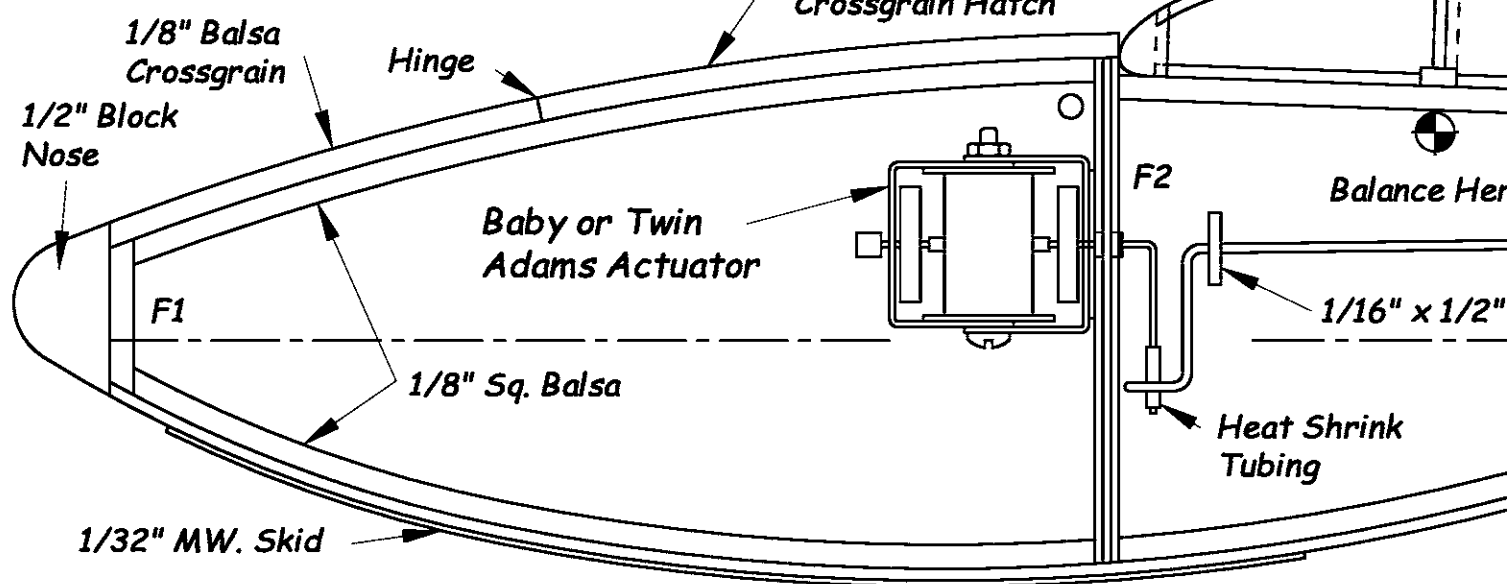
1/8" Lite Ply
Firewall and
Power Pod Core

1/8" Dowel

Pee Wee .020
4" x 2-1/2" Prop

1/8"

1/8" Balsa
Crossgrain Hatch



1/8" Balsa
Crossgrain

Hinge

1/2" Block
Nose

Baby or Twin
Adams Actuator

F2

Balance Hatch

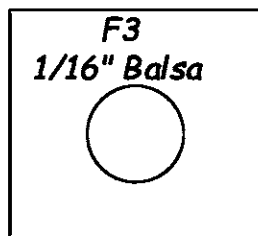
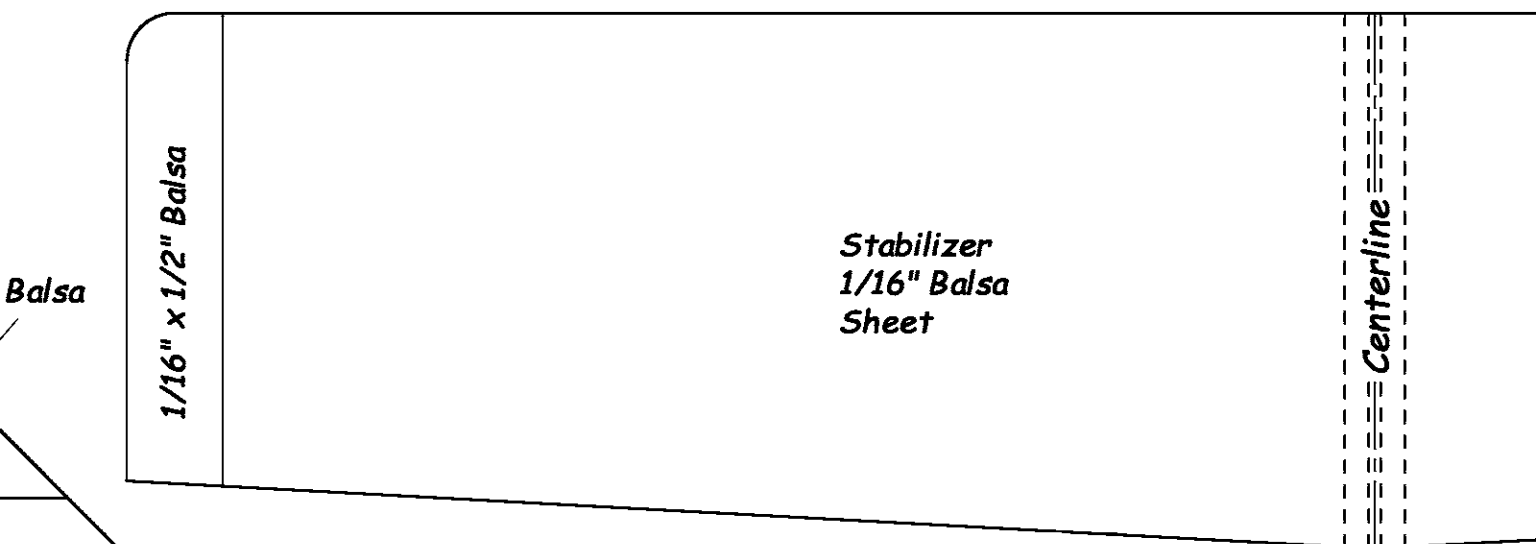
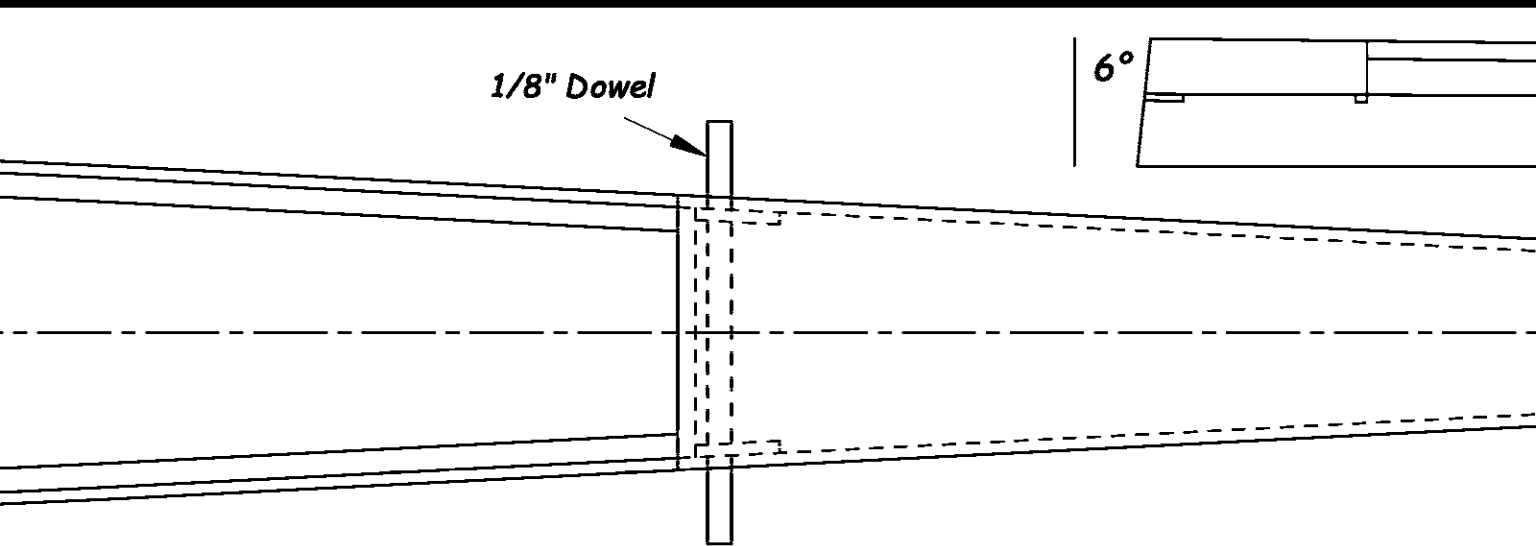
F1

1/8" Sq. Balsa

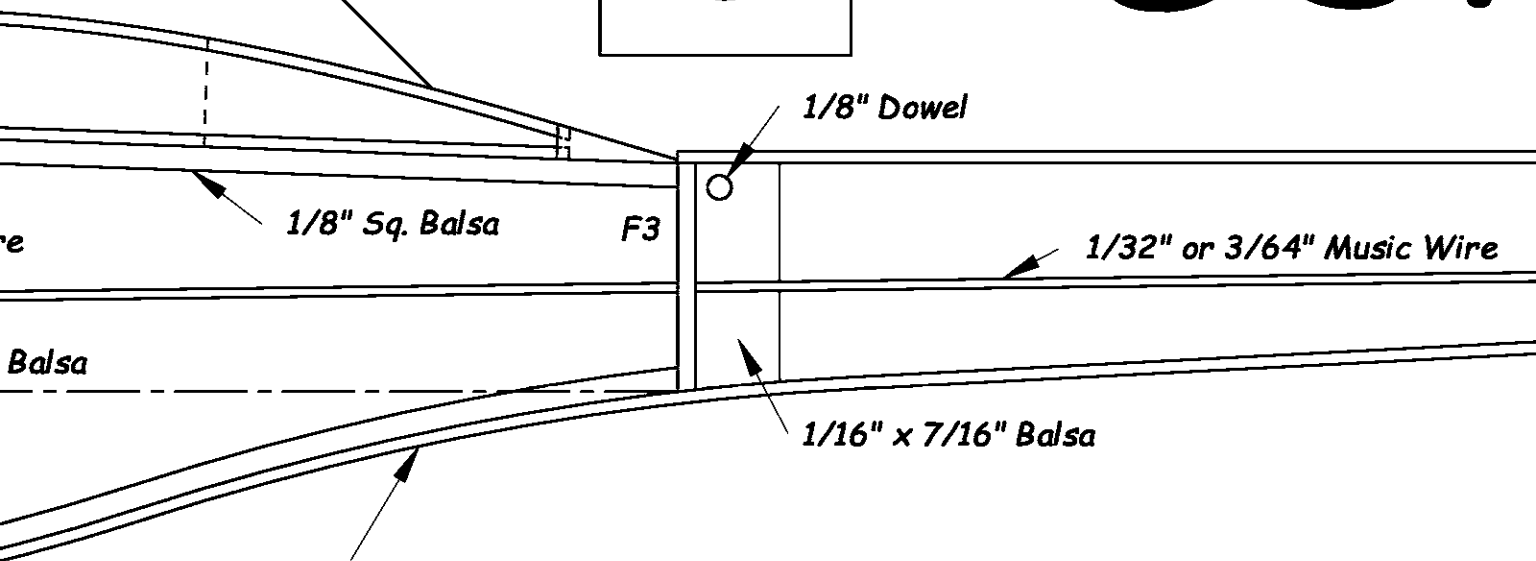
1/16" x 1/2"

Heat Shrink
Tubing

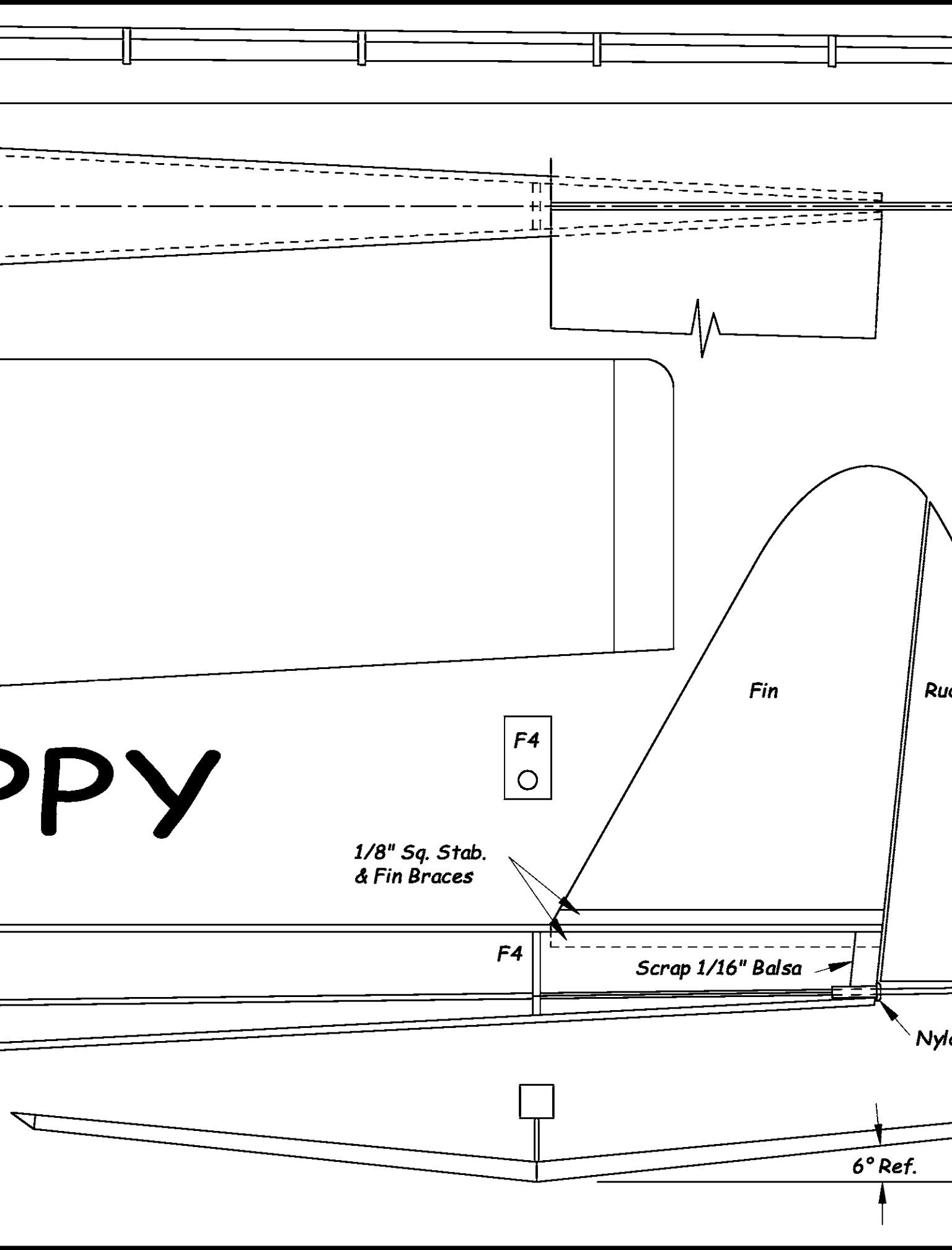
1/32" MW. Skid

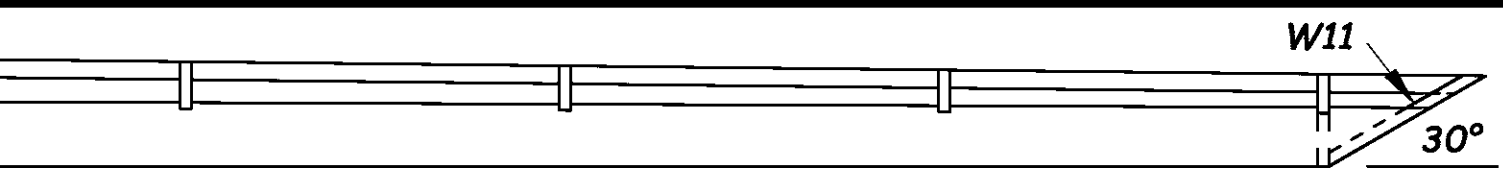


GUP



All material 1/16" sheet balsa unless noted.





Guppy designed By TOM RUNGE
Original kit by ACE R/C had a foam wing.
Span: 34"
Weight: 8 oz. all up
Area: 160 sq. in.
Engine: Cox Pee Wee
Radio: Ace Pulse Commander
Baby or Twin

